

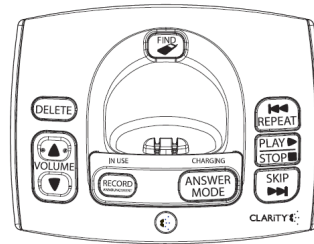


The D613 is perfect for those with a mild-to-moderate hearing loss by amplifying incoming sound up to 30dB. The D613 offers many features including a speakerphone and a digital answering machine.

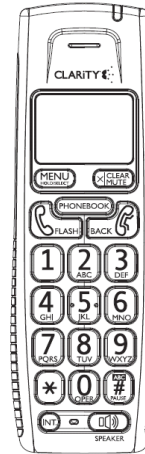
For a full listing of instructions please see the D613 user guide.



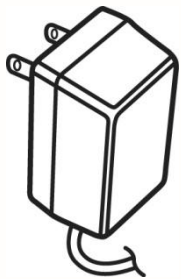
- Amplifies up to **30 dB**
- **DECT 6.0** technology – provides crisp, clear and interference-free communication that is also Wi-Fi friendly.
- **Large**, soft-touch buttons
- **Speakerphone** in handset
- Digital **Answering Machine**
- **Call Waiting CID**
- **Expandable** up to 5 handsets
- **Hearing Aid and T-Coil compatible** with TIA -1083 Compliance.



Base



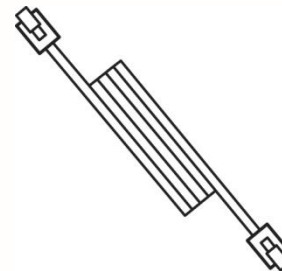
Handset



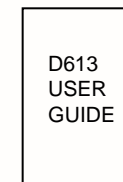
DC Adapter  
6V 600 mA



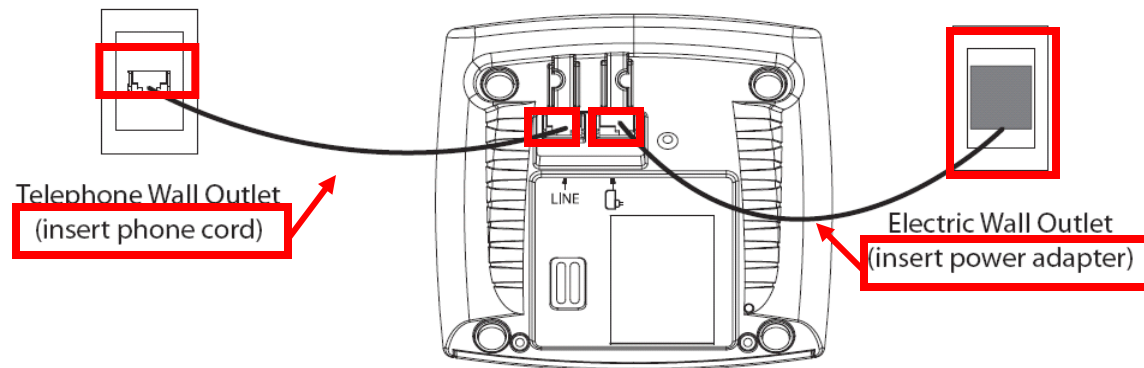
Battery Pack



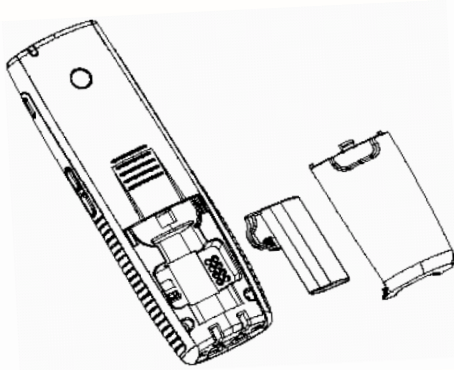
Telephone Cord



User Guide

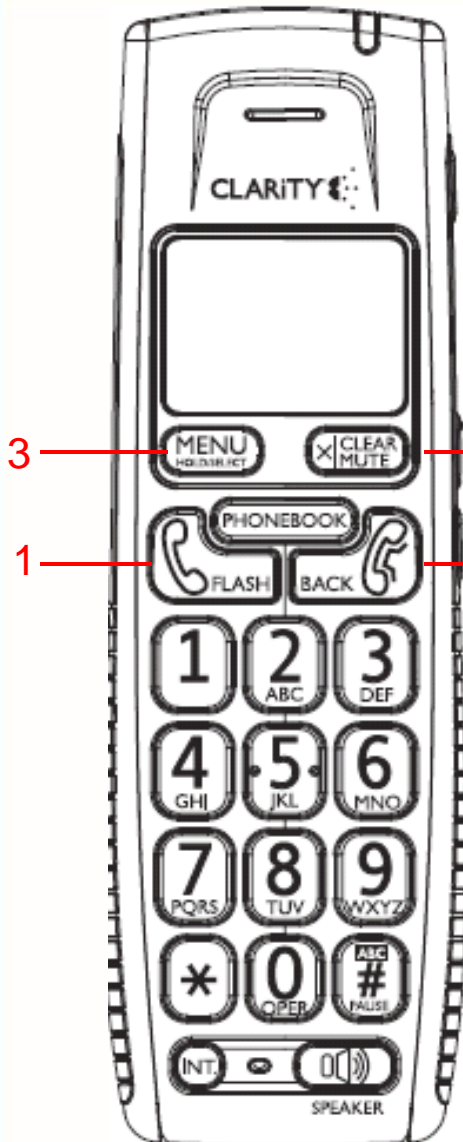


1. Connect one end of the telephone cord into the (square) LINE port on the bottom of the base; connect the other end of the phone cord into the wall telephone outlet.
2. Connect the DC adapter cord into the DC 6V 600 mA port on the bottom of the base; plug the adapter into your wall outlet.



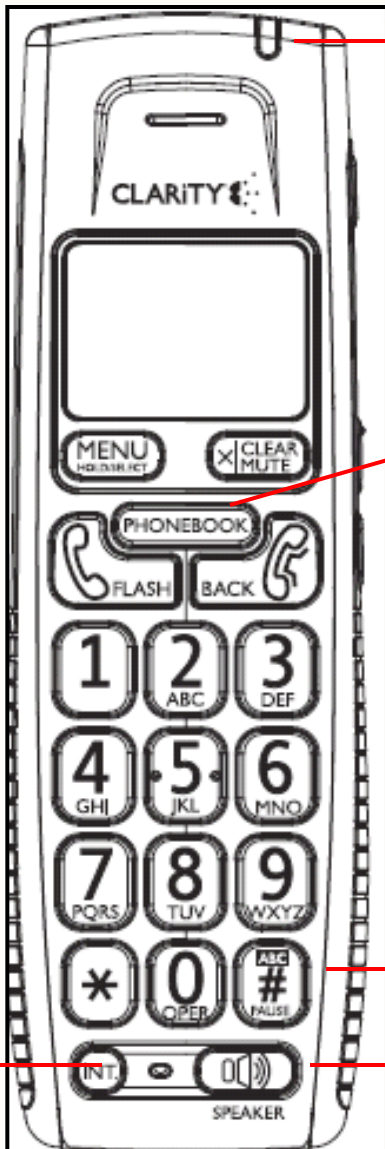
1. Slide open the battery compartment door and connect the rechargeable battery into the battery compartment.
2. Put the handset on the base to charge for at least 24 hours before first use. Subsequent charging time should be 6 – 8 hours a day.

A fully charged battery will provide an estimated 10 hours of talk time and 100 hours of standby time.



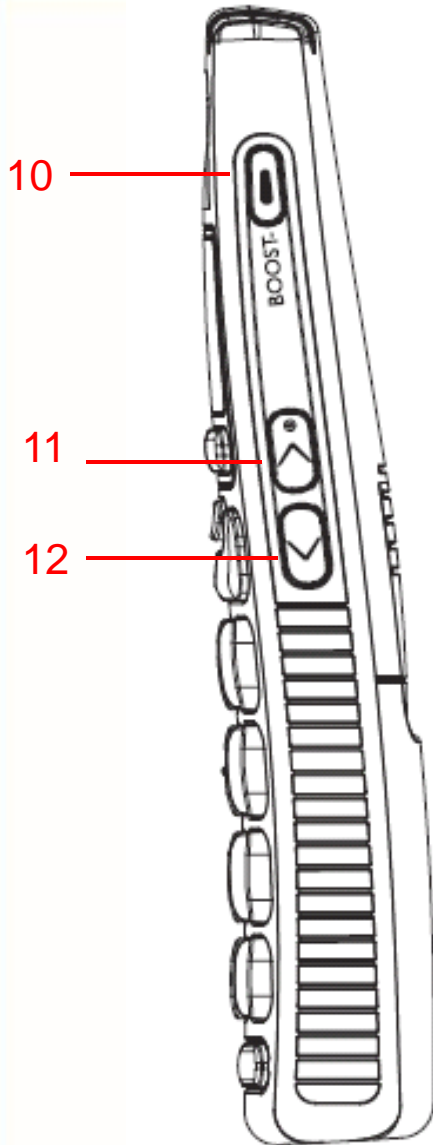
1. **(TALK)/FLASH** button: Press to make a call, answer a call or to engage Call Waiting/Caller ID function.
2. **(End)/BACK** button: Press to end a call.  
(Menu Mode): Press to move back a menu level.
3. **MENU/HOLD/SELECT**: Press to access the menu list and to confirm/save settings in the menu.  
(During a call): Press to place the call on hold.
4. **X/CLEAR/MUTE**: (Idle Mode): Press to access the main menu of the answering machine and listen to the voice prompts.  
(Pre-dialing/Editing Mode): Press once to delete a character or digit. Press and hold to delete all characters and digits.  
(During a call): Press this button to mute and unmute calls.  
(Call List/Phonebook entry): Press to delete an entry.  
(Answering Machine Mode): Press this button or the “0” key to delete the current message playback.



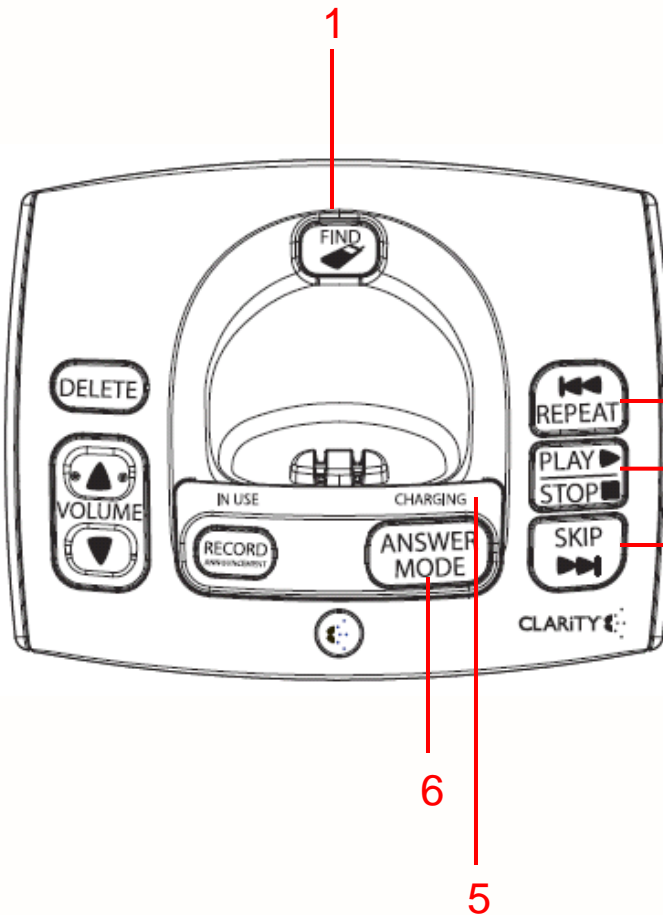


5. **Visual Ringer:** The light will flash during an incoming call; the light will remain on when you are on a call and the BOOST is on.
6. **PHONEBOOK:** Press this button to access the phonebook. (The phonebook will hold up to 30 names and numbers) (Editing Mode): Press to move the cursor to the left.
7. **INT (Intercom) button:** This feature is only available when there is 2 registered handsets. It allows you to make internal calls, transfer external calls from one handset to another and use the conference option.
8. **SPEAKER** button: Press to turn on and off the speakerphone.
9. **#/PAUSE/ABC/FORMAT** button:  
(Idle/Pre-dial/During Call Mode): Press to insert # symbol.  
(In number editing mode): Press and hold to insert pause.  
(In name editing mode): Toggle between ABC/Abc/abc.  
(In call list entry): Press to toggle the Caller ID format among 7, 8, 10 and 11 digits.

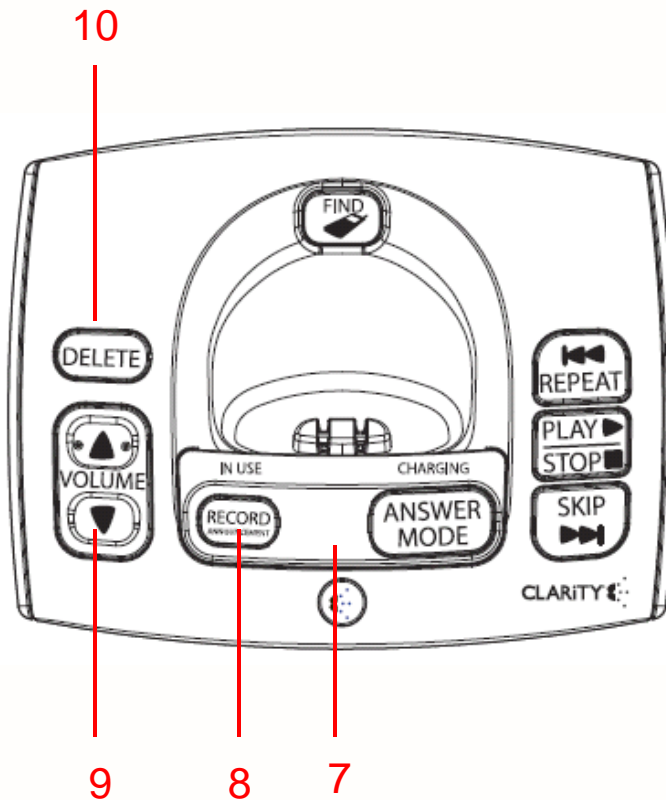




10. **BOOST** button: Press to engage the extra amplification of 30 decibels. (Screen will briefly display BOOST ON).
11. **UP** (Scroll Up/Volume Up/Call List)  
(Idle Mode): Press to access the call list.  
(Menu Mode): Press to scroll up.  
(Editing Mode): Press to move cursor to the left.  
(During a call/Answer Machine Mode): Press to increase volume.
12. **DOWN** (Scroll Down/Volume Down/ Redial List)  
(Idle Mode): Press to access the redial list (up to 32 digits up to 5 calls).  
(Menu Mode): Press to scroll down.  
(Editing Mode): Press to move cursor to the right.  
(During a call/Answer Machine Mode): Press to decrease volume.  
(Call List/Phonebook/redial list entry): Press to scroll down the list.



1. **FIND:** Press to Find all registered handsets.
2. **REPEAT:** Press once to replay current message and twice to play previous message.
3. **PLAY/STOP:** Press to play and stop playing messages.
4. **SKIP:** Press to skip a message and move forward to next message.
5. **Charging LED:** The light will turn on red when the handset is in the cradle base charging.
6. **ANSWER MODE:** Press to toggle between: ANSWER OFF/ ANNOUNCE & RECORD/ ANNOUNCE ONLY



## 7. Answer Machine Display

8. **RECORD** Announcement: Short press to play current outgoing message. Press and hold to record your own outgoing message and release to stop recording.

9. **VOLUME** Up/Down: Controls the Answering Machine volume (levels 0-8).

10. **DELETE**: Press to delete message while message is playing. Press and hold to delete all messages. New messages can not be deleted until reviewed.

There are six main menu options on the D613: Date & Time, Phonebook, Setup HS, Setup BS, Answer Machine and Reset Settings.

To navigate through the menu:

1. Press the MENU button.
2. Press the UP/DOWN arrow buttons to scroll through the menu;
3. Press the MENU button to open a sub-menu or to select an option. Press the (Talk Off)/BACK button to go back to the previous menu level or to cancel an action.

**Note:** If you do not press any button for 30 seconds the display will automatically return to standby.

<b>Main Menu</b>	<b>Date &amp; Time</b>	<b>Phonebook</b>	<b>Setup HS</b>	<b>Setup BS</b>	<b>Answer Machine</b>	<b>Reset Settings</b>
<b>Sub Menu</b>	Year Date Time	View Add Edit Delete Delete All PB Capacity Speed Dial	Ringer Tone Ringer Volume Key Tone Low Batt Tone Out Range Tone Handset Name Language	Ringer tone Ringer Volume Dial Mode Area Code	Answer Machine Message Alert Number of Rings Announcement Record Memo Call Screening Remote Access Security Code	CLR Voice Mail All Settings

## Registering Additional Handsets



1. Press and hold the FIND button on the base for 4 seconds.
2. Release the FIND button once the IN USE light starts to flash.
3. A confirmation tone will sound when registration is successful. Handset X is displayed where X denotes the number of handsets. The phone will then go back to idle.

The D613 will support up to 5 handsets. The D613HS is an expandable handset that is sold separately.

## Deregister All Handsets

1. Unplug the power from the base.
2. Press and hold the FIND button for 10 seconds.
3. Plug back in the power to the base.
4. Release



## **General**

Model Number: D613

Frequency: DECT 6.0

Amplification: 30 dB

## **Headset Unit**

Dimensions: (H x W x D) 7 x 2 x 1.25 inches

Weight: 3.14 ounces

## **Base**

Dimensions: (H x W x D) 2.50 x 5.50 x 4 inches

Weight: 5.04 ounces

## **Power Requirements**

AC Adapter: 6V DC, 600mA

Battery: 2.4 V 550mAh Ni-MH