

CLS-45i

Dual Speaker Amplified Cordless Phone
with Call-Waiting Caller ID



Operating Instructions

**Ameriphone products are manufactured by
Clarity, a Division of Plantronics, Inc.**

4289 Bonny Oaks Drive

Chattanooga, TN 37406

PHONE: (800) 426-3738

FAX: (800) 325-8871

email: ameriphones@plantronics.com

www.clarityproducts.com

Important Safety Instructions

When using your telephone equipment, basic safety precautions should always be followed to reduce the risk of fire, electric shock and injury to persons including the following:

1. Read and understand all instructions.
2. Follow all warnings and instructions marked on the telephone.
3. Do not use this telephone near a bathtub, wash basin, kitchen sink or laundry tub, in a wet basement, near a swimming pool or anywhere else where there is water.
4. Avoid using a telephone (other than a cordless type) during a storm. There may be a remote risk of electrical shock from lightning.
5. Do not use the telephone to report a gas leak in the vicinity of the leak.
6. Unplug this telephone from the wall outlets before cleaning. Do not use liquid cleaners or aerosol cleaners on the telephone. Use a damp cloth for cleaning.
7. Place this telephone on a stable surface. Serious damage and/or injury may result if the telephone falls.
8. Do not cover the slots and openings on this telephone. It should never be placed near or over a radiator or heat register. This telephone should not be placed in a built-in installation unless proper ventilation is provided.
9. Operate this telephone using the electrical voltage as stated on the base unit or the owner's manual. If you are not sure of the voltage in your home, consult your dealer or local power company.
10. Do not place anything on the power cord. Install the telephone where no one will step or trip on the cord.
11. Do not overload wall outlets or extension cords as this can increase the risk of fire or electrical shock.
12. Never push any objects through the slots in the telephone. They can touch dangerous voltage points or short out parts that could result in a risk of fire or electrical shock. Never spill liquid of any kind on the telephone.
13. To reduce the risk of electrical shock, do not take this phone apart. Opening or removing covers may expose you to dangerous voltages or other risks. Incorrect reassembly can cause electric shock when the appliance is subsequently used.
14. Unplug this product from the wall outlets and refer servicing to the manufacturer under the following conditions:
 - A. When the power supply cord or plug is frayed or damaged.
 - B. If liquid has been spilled into the product.
 - C. If the telephone has been exposed to rain or water.
 - D. If the telephone does not operate normally by following the operating instructions. Adjust only those controls that are covered by the

operating instructions. Improper adjustment may require extensive work by a qualified technician to restore the telephone to normal operation.

- E. If the telephone has been dropped or the case has been damaged.
 - F. If the telephone exhibits a distinct change in performance.
15. Never install telephone wiring during a lightning storm.
 16. Never install telephone jacks in wet locations unless the jack is specifically designed for wet locations.
 17. Never touch un-insulated telephone wires or terminals unless the telephone line has been disconnected at the network interface.
 18. Use caution when installing or modifying telephone lines.
 19. Use only the power cord and batteries indicated in this manual. Do not dispose of batteries in a fire. They may explode. Check with local codes for possible special disposal instructions.

Save These Instructions

ADDITIONAL SAFETY NOTES FOR CANADIAN USERS

The following items are included as part of the CS-03 Requirements. The standard connecting arrangement for the equipment is CA11A. This product meets the applicable Industry Canada technical specifications.

NOTICE: The Canadian Department of Communications label identifies certified equipment. This certification means that the equipment meets certain telecommunications network protective operational and safety requirements. The Department does not guarantee that the equipment will operate to the user's satisfaction.

Before installing this equipment, users should ensure that it is permissible to be connected to the facilities of the local telecommunications company. The equipment must also be installed using an acceptable method of connection. In some cases, the company's inside wiring associated with a single line individual service may be extended by means of a certified connector assembly (telephone extension cord).

The customer should be aware that compliance with the above conditions may not prevent degradation of service in some situations. Repairs to certified equip-

Safety

Instructions

(continued)

ment should be made by an authorized Canadian maintenance facility designated by the supplier. Any repairs or alterations made by the user to this equipment, or equipment malfunctions, may give the telecommunications company cause to request the user disconnect the equipment.

Users should ensure for their own protection that the electrical ground connections of the power utility, telephone lines and internal metallic water pipe system, if present, are connected together. This precaution may be particularly important in rural areas.

CAUTION: Users should not attempt to make such connections themselves, but should contact the appropriate electric inspection authority, or electrician, as appropriate.

The Ringer Equivalent Number is an indication of the maximum number of terminals allowed to be connected to a telephone interface. The termination on an interface may consist of any combination of devices subject only to the requirement that the sum of the Ringer Equivalent Number of all the devices not exceed five.

Save These Instructions

Safety Instructions For Batteries

Risk of explosion if battery is replaced by an incorrect type.

Dispose of used battery according to the instructions.

Use only the following type and size battery pack:

Cordless Telephone Battery Pack 3.6V, 750mAh 2/3 AA NiMH (Nickel Metal Hydride) Battery Pack GP75AAH3BMJZ GPI International Ltd.

Do not dispose of the battery pack in a fire. It may explode. Check with local codes for possible special disposal instructions.

Do not open or mutilate the battery pack. Released electrolyte is corrosive and may cause damage to the eyes or skin. It may be toxic if swallowed.

Exercise care in handling the battery pack to prevent shorting the battery with conductive materials such as rings, bracelets and keys. The battery pack or conductor may overheat and cause burns.

Charge the battery pack provided with or identified for use with this product only in accordance with the instructions and limitations specified in this manual.

Observe proper polarity orientation between the battery pack and battery charger.

Contents

Important Safety Instructions _____	ii
Additional Safety Notes for Canadian Users	iii
Safety Instructions for Batteries . .	iv
For Your Information _____	2
Warranty Service	2
Sales Receipt	2
Help from Ameriphone	2
About Your New CLS45i _____	3
Features _____	4
Installation and Using Your CLS45i _____	11
Installing, Replacing and Charging the Handset Battery Pack	11
Connecting Your Telephone	12
Wall Mounting	13
Setting Up Caller ID	14
Placing Calls	17
Receiving Calls	18
Handset Amplifier	18
Intercom	19
Caller ID Functions _____	19
Reviewing Caller ID Information .	19
Placing a Call from Caller ID Information	19
Deleting Selected Caller ID Information	20
Deleting All Caller ID Information	21
Saving Caller ID Information To Memory	20
Receiving Call Waiting Caller ID .	21
Speed Dial and Memory Functions _____	22
Storing Numbers in Memory	22
Memory Dialing - Base	23
Reviewing Memory Information on the Handset	23
Deleting a Stored Number	24
Other Calling Features _____	24
Transferring Calls from the Handset to the Base	24
Transferring Calls from the Base to the Handset	24
Three-Way Conference Calls . . .	24
Troubleshooting _____	25
Regulatory Compliance _____	26
Important FCC Information for Customers	26
Warranty Procedure _____	30
Specifications _____	31

For Your Information

Thank you for selecting the CLS45i Dual-speaker Amplified Cordless Telephone from Ameriphone. These operating instructions and quick-reference guide provide the information you need for safe, efficient use of the CLS45i. Read this document thoroughly before using your telephone and keep it nearby for easy reference.

Warranty Service

Your telephone is designed to provide years of quality service. However, if there is a malfunction and the Troubleshooting recommendations on page 25 do not resolve the problem, follow the Warranty procedure on page 35.

Sales Receipt

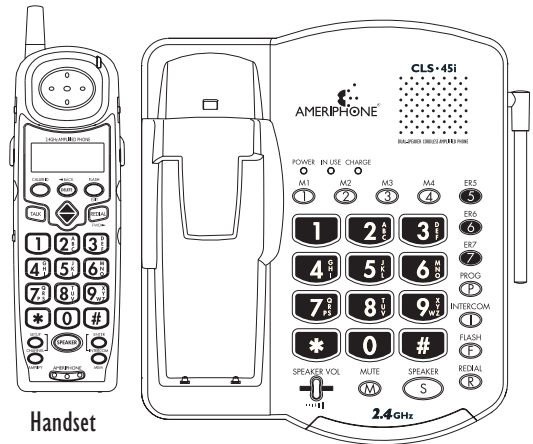
Save your sales receipt as proof of purchase date should you need warranty service.

Help from Ameriphone

For help with using your CLS45i, call our Customer Service Department at 800-426-3738.

Package Checklist

Please make sure that your package includes the items shown in the following illustration.

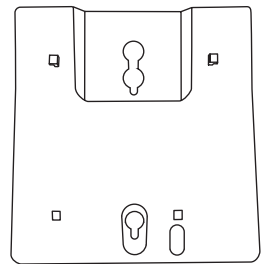


Handset

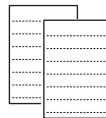
Base Unit



A/C Adapter



Phone Mounting Bracket

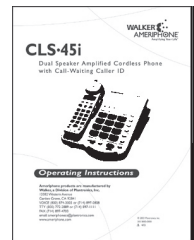


Phone Directory Cards



Telephone Line Cords

Battery Pack
(Located in handset battery compartment.
Plug in before using!)



Operating Instructions

Package Components

About your new CLS45i

The CLS45i is the flagship of the Ameriphone® product line. It has been custom-engineered with an unprecedented array of features to provide years of convenience and assistance. It is powered by the latest technology yet thoughtfully designed for ease-of-use, especially for people who have trouble hearing on the telephone.

The CLS45i is a Dual-Speaker Amplified Cordless Telephone with 2.4GHz technology for greatly increased power and extended operating range.

It is, literally, two-phones-in-one ... two speaker-phones. There are *speakers in both the handset and the base*. This means that when the handset is either in or out of the base you can use the base as a standard speakerphone. There are dialing keypads and stored number memories in both the handset and the base. And, you can also use the handset independently as another speakerphone in another location in your home. You can also use it as an intercom between rooms.

The CLS45i has a powerful 40dB amplifier with separate volume and tone controls so that you can tailor the incoming sounds to the loudness and frequency that best suits your hearing. Plus, its bright, red ring flashers and super-loud ringers in both the base and handset make sure you know when your phone is ringing.

Your new phone is designed to achieve the maximum possible range by transmitting and receiving according to the highest specifications set forth by the FCC. We have rated this phone to operate at a maximum distance with the qualification that the range depends upon the environment in which the telephone is used. While using the telephone you may experience interference from other electronic devices. If you use the handset near a microwave oven which is being used, noise may be heard from the receiver or the speaker. Move away from the microwave oven and closer to the base unit. During a call, as you begin to move your handset

too far from your base unit, noise increases. If you pass the range limits of the base unit, your call will be terminated.

The CLS45i has both Caller ID and Call Waiting Caller ID capabilities. You will need to subscribe to the telephone company's Caller ID service to use these features. The LCD screen on the handset lets you view Caller ID information easily. It also guides you through the few simple steps to set up the other Special Features of the CLS45i.

On the base you'll find seven (7) one-touch speed dial memory buttons, including three red buttons specifically designated for emergency numbers. You can store other numbers in these memory locations if you wish, but emergency numbers will always be easiest to access if you store them in the red memory locations (ER5, ER6 and ER7).

Note: The CLS45i employs sophisticated circuitry to minimize acoustic feedback (squealing) while it is placed against your ear. However, you may experience some feedback while returning the handset to the base. To alleviate this either turn the phone off or turn the amplifier off before returning the handset to the base.

The handset can store frequently called numbers in ten (10) two-touch buttons.

The CLS45i has many other features and functions and they are explained in the following pages.

We hope you enjoy using your new CLS45i and that you are pleased with the added capability and independence it makes possible for you.

We sincerely thank you for your support of Ameriphone products. If we can be of help to you, please call our Customer Service department at 800-426-3738. We would also appreciate your feedback.

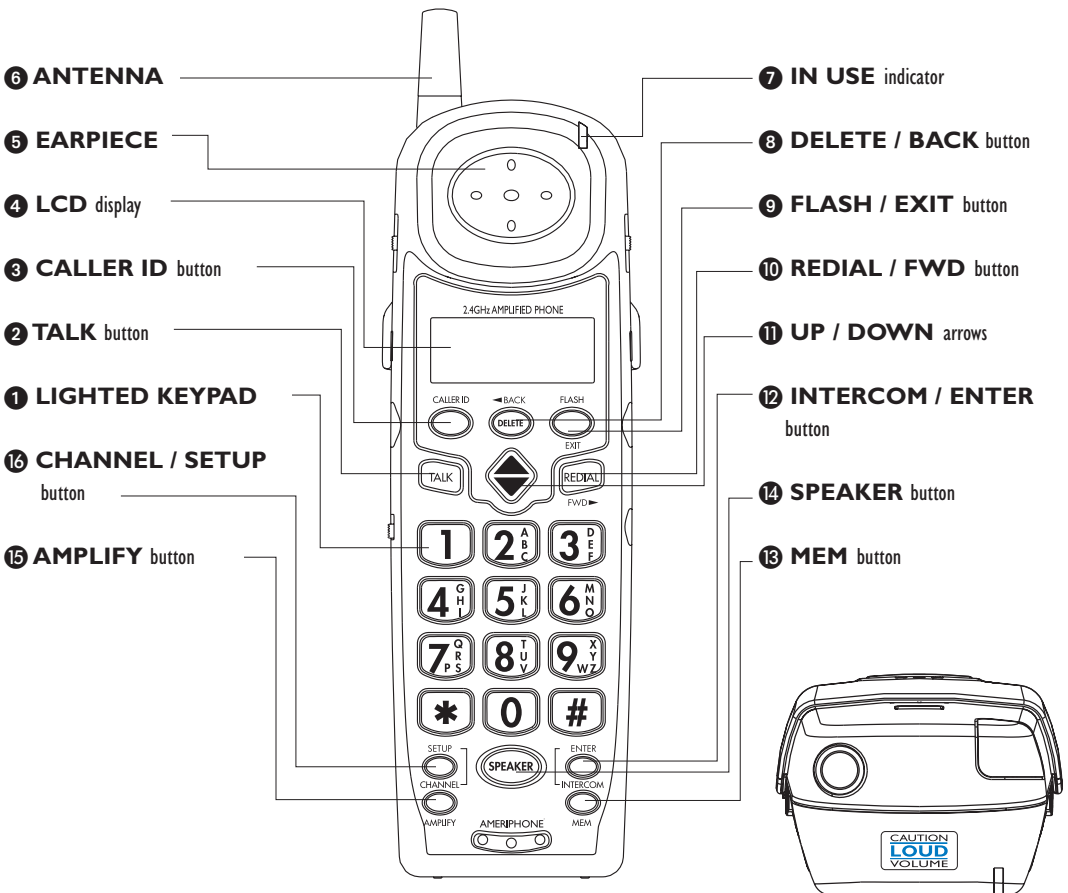
Features – Handset

The CLS45i has an extensive array of features. Included among them are:

- Amplification up to 40dB
- Hands-free Communication
- Caller ID (if subscribed)
- Intercom
- Memory Dialing
- Speakers for Three-way conference calling and call waiting (if subscribed)
- Portability within a given area

For added convenience and ease of use, there is a tactile nub on the #5 dialing key and tactile symbols on the memory and function keys on the base.

Since most of the features are available on both the handset and the base, let's first look at the handset features.



Handset Face

Features – Handset

The following controls and indicators are on the face of the handset.

- 1 **Keypad.** The keypad on the handset is backlit while in use.
 - 2 **TALK button.** Press to turn the handset ON and OFF. It can be used to answer, place or end a call.
 - 3 **CALLER ID button.** Press to dial the Caller ID position selected by the up/down button.
 - 4 **LCD Display.** Displays Caller ID and telephone status information. It stores up to 50 telephone numbers and has three language selections.
 - 5 **Earpiece.**
 - 6 **Antenna.**
 - 7 **IN USE / NEW CALL indicator.**

Lights up when the telephone is in use. It also flashes when there are new calls that have not been reviewed.
 - 8 **DELETE / BACK button.** This button is used:
 - a. to delete Caller ID entries
 - b. to backspace and delete characters when entering a new name and number into memory
 - 9 **FLASH / EXIT button.** Press to:
 - a. access telephone company subscription services, such as Call Waiting (if available)
 - b. exit any menu and return to the Standby screen
 - 10 **REDIAL / FWD button.** This button is used:
 - a. **To redial last number dialed:** Press to redial the last number that you dialed up to a maximum of 32 digits. It must be the first button pressed the next time you activate the handset, either by picking it up from the cradle or, if out of the cradle, by pressing TALK.
 - b. **To insert pauses into numbers:**

When storing numbers into memory, press REDIAL to insert pauses when necessary, such as when entering a sequence of numbers (calling card or credit card number). You may also be asked to provide information for identification or validation purposes when making telephone transactions, such as with a bank or other merchant. In these cases you would be prompted at each successive step to provide data such as the last 4-digits of your social security number, date of birth, phone number, zip code, etc. A pause is also used when programming a number that is followed by an extension or a menu selection.
 - c. **To advance the cursor to the next character location:** In storing names into memory, (such as “BEN”), once you have selected “B” on the “2” key, press REDIAL to move the cursor to the right where you will enter the “e” on the “3” key. Continue pressing REDIAL to advance the cursor until all the letters of the name have been selected. Press PROG to store the number.
- 11 **UP / DOWN arrows.** Press to scroll through the Caller ID and SETUP display.
 - 12 **INTERCOM / ENTER button.** Press to:
 - a. activate the Intercom function
 - b. store or confirm any selection during SETUP or when entering names/numbers into memory
 - 13 **MEM button.** The MEM button is used when storing and accessing frequently dialed and emergency telephone numbers

Features – Handset

into memory locations.

- 14 **SPEAKER button.** Pressing this button turns the handset speaker On and Off. It can also be used to answer incoming calls. For best results, after turning this function On and the handset is out of the cradle, place the handset face down or on its side so that the speaker grille is not blocked.
- 15 **AMPLIFY button.** This button turns the extra amplification On and Off. Press it to put the handset amplifier into the On mode for maximum volume boost. In the On position, the button is backlit and the maximum amplification is 40dB. When it is Off, the backlight goes out and the maximum amplification is approximately 18dB.
- 16 **CHANNEL / SETUP button.**
 - a. This button is used for switching channels when there is interference on the line. There are 40 channels. If there is interference on the line, pressing this button will move to another channel which should bring much improved clarity of reception.
 - b. Pressing CHANNEL for three (3) seconds will initiate the SETUP mode. You will see this indicated on the LCD display.

Handset Controls, Functions and Features

There are controls on either side of the handset and they are listed below.

Left Side:

- 1 **RINGER OFF/ON.** This switch turns the handset ringer On and Off.
- 2 **REMOTE jack.** This 3.5 mm jack is for

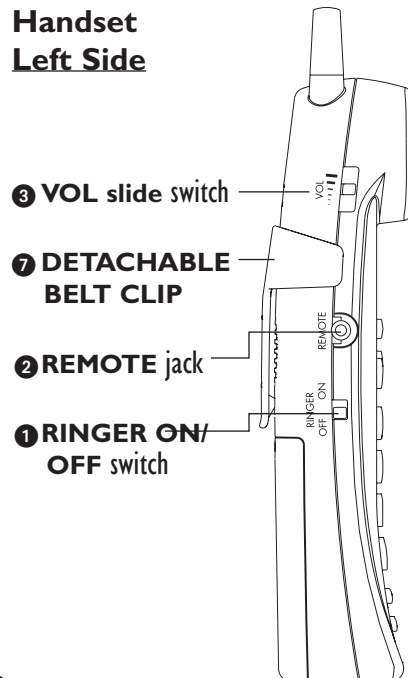
use with optional remote devices such as an Ameriphone ER Pillow Switch or Air Switch.

- 3 **VOL slide switch.** When AMPLIFY on the handset is Off, this volume control provides amplification from 0 to 18dB. When AMPLIFY is On, the volume control allows you to adjust the amplification up to 40dB.

Right Side:

- 4 **TONE LO HI.** Adjusts the tone to help you better understand incoming voice on the handset. The TONE control provides clarity, especially with similar sounding words. It is only functional when AMPLIFY is on.
- 5 **AUDIO jack.** 3.5mm jack used for connecting other assistive listening devices such as neckloop, cochlear implant or Personal Computer speaker.

Handset Left Side



Features – Handset

6 HEADSET jack. 2.5mm jack to allow the use of a headset. Your handset, when connected to a headset (not included) will provide you with hands-free communication. In the event you wish to purchase a headset for your CLS45i, please contact Plantronics at 1-800-544-4660 for a location near you. We recommend the use of Plantronics models M-130 and M-175. Headsets are also available at most retail outlets and Special Needs distributors that sell telephone equipment.

Other Handset Features:

7 BELT CLIP. Your CLS45i has a detachable belt clip on the back of the handset.

8 RING FLASHER. This red light, located on the top right back corner of the handset, flashes when your telephone is ringing.

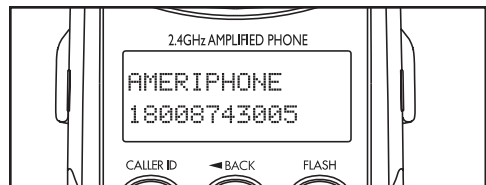
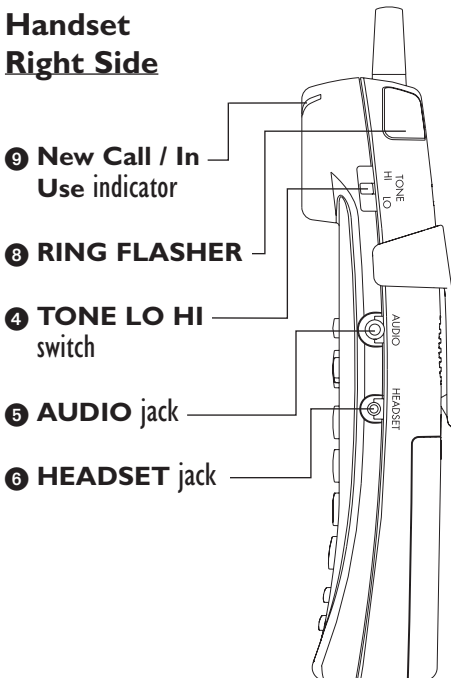
9 NEW CALL / IN USE indicator. Located at the top right-front corner of the earpiece, it flashes to let you know you have a new call or to indicate that the handset is in use.

Caller ID Display Indicator

When you receive a telephone call, the LCD display provides a number of Caller ID details, which are explained below.

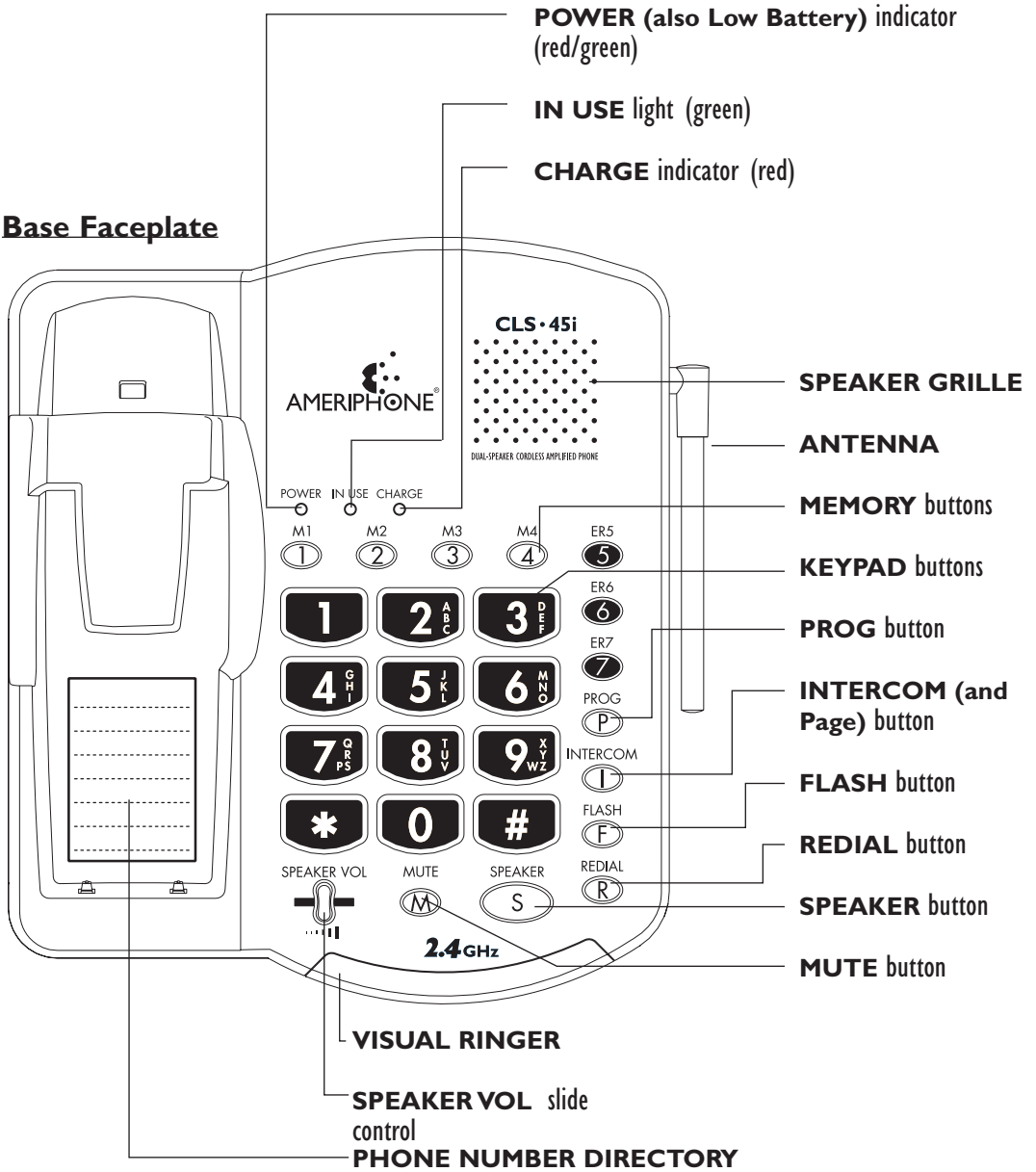
- **New Call/Call counter** This line displays the number of calls and new calls in standby mode. If you have a call that has not yet been reviewed, the display reads “New” and the New Call / In Use light on the handset flashes.
- **Repeated Call Indicator** This indicator lights up and displays “RPT” if the displayed telephone number has called more than once.
- **Clock** Shows the real time (AM/PM) format, or the time stamp of a Caller ID record.
- **Date** Displays the date (mm/dd) format, or the date stamp of a Caller ID record.
- **12-Digit number line** Displays the caller’s number or digits you dialed.

Handset Right Side



Features – Base

Base Faceplate



Features – Base

Features and controls on the faceplate (top) of the base.

POWER (also Low Battery) indicator.

This light is the left most of three lights above the keypad. It signals you to alert you to the status of the backup batteries and the AC power. See chart on page 12.

IN USE light. This green light is ON when the telephone line is in use. When transferring a call, this light changes from a steady light to a flashing light.

CHARGE indicator. This red light is ON when the handset is in the cradle.

KEYPAD buttons. The buttons on the keypad are backlit. They light up when you press SPEAKER.

MEMORY buttons. M1 through M4 and ER5 through ER7. M1 through M4 are for frequently-called numbers and ER5 through ER7 are for emergency numbers. Each stores a telephone number of up to 16 digits in length. These are one-touch buttons. See pages 21-22.

PROG button. Press when storing frequently called and emergency telephone numbers into memory. See page 22.

INTERCOM (and Page) button. Press to page the handset, transfer a call or for conversation between the base and handset. It can also be used to connect a three-way call between the handset, base and a third party on another telephone line.

FLASH button. Press to access special services from the telephone company such as Call Waiting and other subscribed services.

REDIAL (and Pause) button. Press to redial the last number you called. Pause lets you insert an extension or menu choice

when storing numbers. It lets you program numbers up to 32 digits. See additional description on page 5.

SPEAKER button. Backlit button lights up when Speaker is turned On. Press it and it provides hands-free communication with adjustable volume.

Note: In Speaker mode, only one party at a time can be heard. It is best that you wait until the other party is finished speaking before you speak. Otherwise parts of the conversation may be lost.

MUTE button. Press to turn the microphone on the base ON and OFF. It is for added privacy.

SPEAKER VOL slide control. Use this to adjust the volume of the speaker on the base.

ANTENNA. Keep the antenna raised for the maximum reception strength and to minimize interference on the line.

VISUAL RINGER. This flashes a bright red light when the telephone is ringing.

PHONE NUMBER DIRECTORY.

Included is a self-adhesive plastic sleeve and several directory listing cards on which you can note the phone numbers you have stored in memory buttons and other numbers if you choose. Simply peel the backing off the sleeve and affix it to the base in the lower area of the handset cradle as shown. You may remove the directory cards as often as you wish to make changes by sliding them out of the sleeve and then sliding them back. NOTE: writing the numbers in pencil will make changes easier to make and will extend the life of the directory cards. Extra cards are included.

Features – Base

Controls on the right side.

AMPLIFIER OFF ON. This switch determines the initial state of the amplification on the handset. It always returns the handset to whichever position the switch is set. When Off, the handset starts calls in non-amplified mode. When On, the handset starts calls in amplified mode. The Amplify button on the handset toggles between the amplification levels, regardless of the position of the switch. **CAUTION: when this switch is set to ON the volume will be louder than normal when the handset is turned on. To protect persons with normal hearing we suggest setting the switch to OFF. This will keep the volume at a normal level until the AMPLIFY button is pressed.**

T P (Tone/Pulse). Slide the switch to the type of telephone service you have; “T” (touch tone) or “P” (pulse) for rotary dialing.

RING TONE. Slide to set ringer tone to “L” (low) or “H” (high).

RINGER. Slide to set ringer loudness to “OFF”, “L” (low), “M” (medium) or “H” (high).

EXT SPK OUT (Audio) jack. This 3.5 mm jack is compatible with Personal Computer speakers and assistive listening devices such as a neckloop and cochlear implant. See page 7 (handset).

Back side of the base.

AC ADAPTER jack. This jack is for the AC adapter that provides electric power to your phone. See page 31 “Product Specifications.”

TELEPHONE LINE jack. Next to the DC adapter, this jack allows connection to the telephone line.

Base, right and back sides

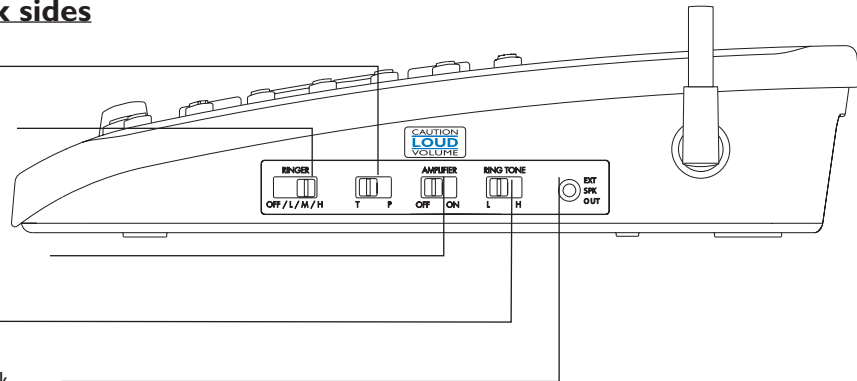
T P (Tone/Pulse) switch

RINGER VOLUME switch

AMPLIFIER ON OFF switch

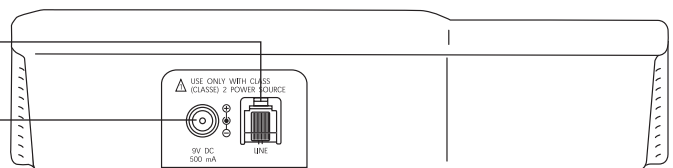
RING TONE switch

EXT SPK OUT (Audio) jack



TELEPHONE LINE jack

AC ADAPTER jack



Installing and Using Your CLS45i

There are six (6) steps involved in setting up your CLS45i.

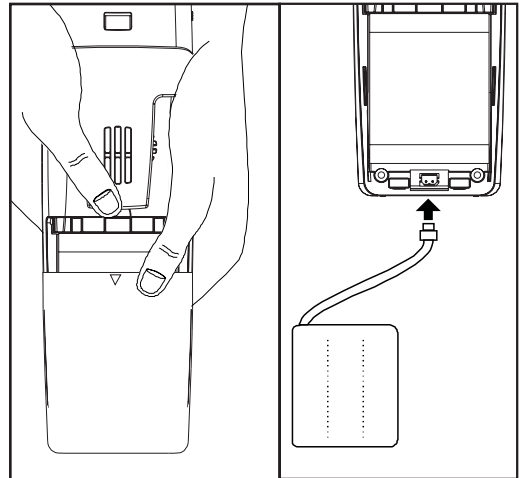
1. Install included battery pack into handset.
2. (Optional) Insert four AA alkaline batteries (for backup in case of AC power outage) into base.
3. Decide if you want the telephone to sit on a desk/tabletop or hang on the wall (if on the wall, follow Instructions for Wall Mounting)
4. Plug the telephone line cord into the phone base and telephone wall jack
5. Plug the electrical adapter into a 110-120V AC wall outlet
6. Place handset in the cradle face up and let charge overnight or for 10-14 hours
Once your telephone is set up and the handset is charged, you may proceed to program up to 17 phone numbers into the memory speed-dial buttons and set up the rest of the Special Features.

Installing, Replacing and Charging the Handset Battery Pack

Note: the battery pack must be fully charged before using the CLS-45i

Remove the battery cover on the back of the handset by pushing the battery compartment “button” and sliding the cover towards the bottom of the handset.

1. To install the battery pack, plug the cord of the battery pack into the terminal in the battery compartment. Replace the battery cover by sliding it into place until it “clicks”.
2. To replace the battery pack, remove the



battery cover as stated above and unplug the battery from the battery compartment. Remove old battery pack. Install new battery pack and plug the cord of the battery pack into the terminal in the battery compartment.

Replace the battery cover by sliding it into place until it “clicks”.

Monitoring the Handset Battery Level

The battery icon will show “full” if there is an adequate charge level on the battery. As the phone is used the battery will discharge. When the handset battery is low the display will show the battery icon in an “empty” state, the unit will “beep” every thirty (30) seconds, and the IN USE/NEW CALL light will flash. If you are using the phone, the phone will go dead after approximately two (2) minutes. Place the handset back into the base to recharge the battery.

Installing and Using Your CLS45i

To maximize the battery charge, place the handset back into the cradle when not in use and each night.

When out of the cradle, the battery typically holds a charge for several days, depending upon use.

Maximizing Handset Battery Life

To maximize the battery life, fully discharge the battery and recharge it occasionally.

Simply unplug your telephone line cord from the wall telephone jack.

Press TALK and allow the handset to remain on for 10 to 14 hours.

Then, reconnect the phone cord to the wall telephone jack.

Return the handset to the base and allow it to fully charge for 12 hours.

Doing this process monthly reduces the memory buildup that occurs from frequent, partial charging.

Monitoring the Level of the Backup Batteries in the Base

Chart I

AC Power	No Battery installed	Good Battery	Low Battery	LED Color
yes		yes		green steady
yes	yes			red steady
yes			yes	blinks green/red
no		yes		blinks red
no			yes	blinks red, goes off

Chart I indicates how to read the lights and indicators on the base to determine the status of the batteries and AC power.

Connecting Your Telephone

Set the dial mode switch to T (tone) if you have touch tone service. Set the switch to P (pulse) if you have rotary dialing.

You may connect your telephone for desktop use or mounted on a wall.

- Raise the antenna on the base.
- Plug the other end of the telephone cord into the telephone wall jack.
- Plug the AC adapter into a standard 120V AC wall outlet.

Note: Use only with the #950 AC adapter supplied by Ameriphone.

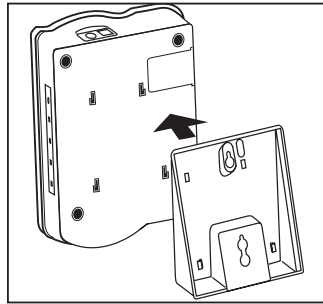
CAUTION: Place the telephone and power cords where they will not interfere with movement, be damaged or create a fire or other electrical hazard.

Installing and Using Your CLS45i

Desktop Use

To use as a desk phone, remove the wall mounting bracket:

1. Remove the handset and turn the phone over so that the bottom is facing you.
2. Push the bracket in and down firmly until you feel it snap out of its mounting slots **1**.
3. Place the base on any desired and suitable location. The small rubber pads on the bottom of the phone will help keep the phone in place.

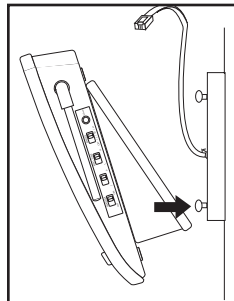


1

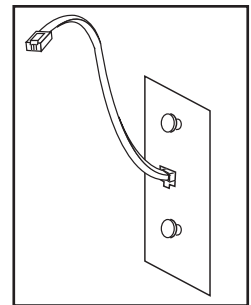
Wall Mounting

The wall mounting bracket is already installed on your CLS45i for your convenience. To attach your phone to the wall:

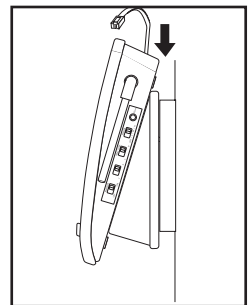
1. Locate a desired wall phone jack near an AC outlet. Notice the position of the two (upper and lower) protruding nail or screw heads as shown in illustration **2**. These heads fit into the slots on the bottom of the mounting bracket and hold the phone on to the wall. Plug the short phone line cord into the wall jack as shown.
2. Hold the base unit of the phone upright then angle it downwards. Feel for the lower protruding nail or screw head and insert this head into the lower hole on the mounting bracket as shown in **3**.
3. Next, insert the upper phone bracket onto the upper head. Slide the phone down until it is firmly in place on the wall. See **4**.
4. Once the phone is firmly in place on the wall, attach the short line cord to the phone, plug the AC adapter into the phone, and attach the phone's handset as shown in **5**.



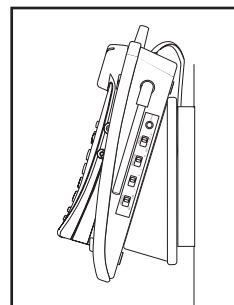
3



2



4



5

Setting Up Caller ID

The Caller ID SETUP procedure begins only after the handset is fully charged.

Enter SETUP Mode

NOTE: In SETUP, if there is no input within 30 seconds, the program will default to the last selection in that mode (e.g., Language) and the CLS45i will return to Standby. If at any time you want to exit SETUP and return to Standby, press FLASH.

Press and hold CHANNEL for three seconds.

Setting Language on the Handset

1. Press and hold CHANNEL for three (3) seconds to enter the SETUP mode. The Caller ID display now reads, "SET LANGUAGE."
2. Press INTERCOM once to enter the Language selection mode. The current selected language flashes.
3. Press UP (▲) or DOWN (▼) to scroll through the language options. The displayed language will change to "FRENCH" or "SPANISH."
4. Press INTERCOM to select your preference.
5. Press UP (▲) or DOWN (▼) to go to the next menu.

Setting Contrast on the Handset

1. Press and hold CHANNEL for three (3) seconds to enter the SETUP mode.
2. Press UP (▲) or DOWN (▼) to go to the next menu. The display shows the last selection.
3. Press INTERCOM once to enter the Contrast Level selection mode. The current selected level flashes.

4. Press UP (▲) or DOWN (▼) to change the level.
5. Press INTERCOM to select your preference.
6. Press UP (▲) or DOWN (▼) to go to the next menu.

Setting Time and Date

The time-and-date stamp is automatically updated when the first incoming Caller ID is received.

The time will start from the default Time/Date "12:00 AM 01/01".

If the time setting is lost during a power outage, the clock flashes when power is up again.

1. Press and hold CHANNEL for three (3) seconds to enter the SETUP mode.
2. Press UP (▲) until the display reads, "TIME/DATE".
3. Press INTERCOM to start changing the date. The display shows the current time and date on the top line, e.g. "12:05AM 12/20" with the month digits flashing.
4. Press UP (▲) or DOWN (▼) to change the month digits.
5. Press INTERCOM once to select. After the month digits are set, the date digits flash.
6. Press UP (▲) or DOWN (▼) to change the date digits.
8. Press INTERCOM once to select. After the date digits are set, the hour digits flash.
9. Press UP (▲) or DOWN (▼) to change the hour digits.
10. Press INTERCOM once to select. After the hour digits are set, the minute digits flash.
11. Press UP (▲) or DOWN (▼) to change the minute digits.
10. Press INTERCOM once to select. After the

Installing and Using Your CLS45i

minute digits are set, AM/PM will flash.

11. Press UP (▲) or DOWN (▼) to for either AM or PM.
12. Press INTERCOM once to select. After AM or PM is selected, the time/date digits will be blanked.
13. Press INTERCOM once to display the time/date again. Or, press UP (▲) or DOWN (▼) to go to the next menu.

Setting Caller ID On / Off

1. Press and hold CHANNEL for three (3) seconds to enter the SETUP mode.
2. Press UP (▲) or DOWN (▼) until the LCD display reads "CID MODE ON". When it is off, the display reads "CID MODE OFF".
3. Press UP (▲) to set the CID ON/OFF (default to ON).
4. Press INTERCOM once to enter the CID selection mode.
5. Press the UP (▲) or DOWN (▼) button to change the mode.
6. Press INTERCOM to confirm.
7. Press the UP (▲) or DOWN (▼) button to go to the next menu.

Setting Auto-Talk On / Off

When this feature is activated, an incoming call is automatically answered by picking up the handset from the cradle while the telephone is ringing.

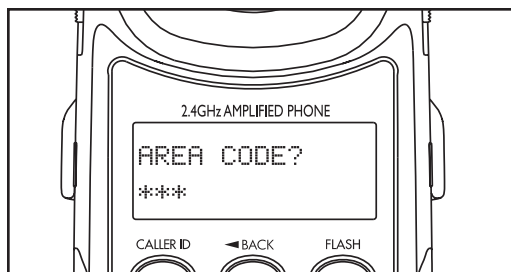
NOTE: With Auto-Talk On, do not press TALK to answer, as doing so will disconnect (hang up on) the caller; and the call is automatically terminated when you place the handset back into the cradle. You may also disconnect by pressing TALK.

NOTE: With Auto-Talk Off, picking up the handset from the cradle does not answer the call. You will need to press TALK or SPEAKER to answer the call.

1. Press and hold CHANNEL for three (3) seconds to enter the SETUP mode.
2. Press UP (▲) until the LCD display reads "Auto-Talk ON/OFF" (default is On). If Auto-Talk is Off, the display reads "AUTOTALK OFF".
3. Press INTERCOM to enter the Auto-Talk selection mode. The current mode characters will then flash (ON/OFF).
4. Press UP (▲) or DOWN (▼) to change the mode.
5. Press INTERCOM to select.
6. Press UP (▲) or DOWN (▼) to go to the next menu.

Setting the Area Code

1. Press and hold CHANNEL for three (3) seconds to enter the SETUP mode.
2. While in SETUP press UP (▲) button until the LCD display reads "AREA CODE ?" and "::*:*" or last selected value "XYZ".
3. Press INTERCOM to enter the Area Code selection mode. The digits change with the first digit of the right set of digits ("XYZ -> XYZ") flashing.
4. Enter your area code using the numeric keys on the handset.



Installing and Using Your CLS45i

Press INTERCOM to confirm. When the area code is confirmed, the entered digits move to the far left and change from flashing to steady On.

Press UP (▲) or DOWN (▼) to go to the next menu.

To set up your CLS45i again, press CHANNEL and hold it down for three seconds in the Standby mode. You will again enter the SETUP mode.

Your CLS45i stays in the SETUP mode until (a) you complete the SETUP steps, or (b) you press FLASH/EXIT, or (c) you let 30 seconds elapse without pressing any keys. However, Caller ID information will still be recorded and can be reviewed once SETUP is complete.

Placing Calls

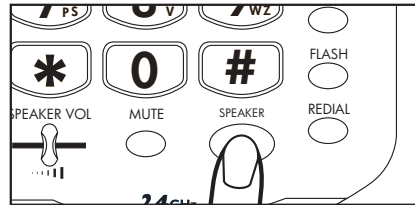
You can place calls from either the handset or the base. **NOTE:** Remember, you must charge the handset battery for 10-14 hours before using the handset for the first time.

PLACING CALLS FROM THE HANDSET

1. Press TALK or SPEAKER to talk and listen through the handset. The In Use indicator lights up; or,
2. Press the SPEAKER to use the handset as a speakerphone (you can talk and listen through the speaker on the back of the handset)
3. The SPEAKER button lights up
4. The In Use indicator lights up
5. Listen for the dial tone.
6. Dial the telephone number
7. When you have finished the call, press SPEAKER or TALK to hang up. The In Use indicator light goes out.

PLACING CALLS FROM THE BASE WITH THE HANDSET EITHER IN OR OUT OF THE CRADLE (USING THE BASE AS A SPEAKERPHONE)

1. Press SPEAKER
2. The SPEAKER button lights up
3. Listen for the dial tone
4. Dial the telephone number
5. When you have finished the call, press SPEAKER.
6. The SPEAKER light goes out



“Temporary” Tone Dialing Mode

If you have set your phone to the Pulse dialing mode and wish to place a call in the Tone dialing mode, you can do that without changing your settings. Simply press “*” once to enter Tone temporarily. Any numeric key pressed after “*” will be dialed in Tone mode. You can also REDIAL in Tone.

Tone mode will be active until you hang up at which point the phone will automatically reset to the Pulse dialing mode.

Receiving Calls

When a call comes in, you can answer from either the handset or the base.

ANSWERING FROM THE HANDSET WHEN IT IS IN ITS CRADLE

You must pick up the handset to answer.

Installing and Using Your CLS45i

When the telephone rings, the visual ringers will flash on both the base and handset. Note that when the handset is in the cradle, only the base will ring.

1. Lift the handset to begin your conversation.
 - a. If Auto-Talk is On, do not press the TALK key.
 - b. If Auto-Talk is Off, you will need to press the TALK key.
2. To end your conversation, press TALK or place the handset back in the cradle. When returning the handset to the cradle, it should be facing up so that you can see the Caller ID and because it charges automatically when it is in the cradle facing up.

ANSWERING FROM THE HANDSET WHEN IT IS OUT OF ITS CRADLE

Sometimes you may temporarily leave the handset in another room and you can answer from the handset wherever it is. Note: The handset's RINGER switch must be in the ON position for the ringer to operate.

1. When the phone rings, press the TALK or SPEAKER button to answer.
2. When you are through talking, press the TALK or SPEAKER button again to hang up.

ANSWERING CALLS FROM THE BASE WITH THE HANDSET EITHER IN OR OUT OF THE CRADLE (USING THE BASE SPEAKERPHONE)

1. Press SPEAKER
2. The SPEAKER button lights up
3. Listen and talk through the speaker from up to 20 feet away
4. Adjust the volume of the speaker by moving the sliding SPEAKER VOL control left or right.

5. When you have finished the call, press SPEAKER.
6. The SPEAKER light goes out

Handset Amplifier

The CLS45i has a powerful amplifier that can provide up to 40dB of incoming amplification depending upon your settings.

When AMPLIFY is Off on the handset, the handset VOL control allows for amplification up to 18dB.

When the handset AMPLIFY button is On, the handset volume control allows for amplification to adjust from up to 40dB. A backlight under the button turns on when the Amplify button is activated.

To adjust the volume:

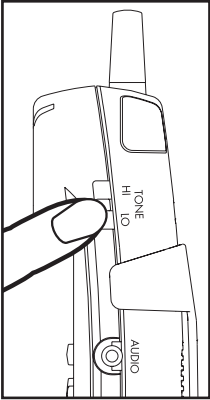
1. Press the AMPLIFY button. It lights up.
2. Slide the VOL control (on the top left side of the handset) to select the level of amplification that best suits your hearing needs.

CAUTION: Repeated incremental exposure to amplification levels greater than 18dB may be harmful to individuals who do not have hearing disabilities. Do not remove the warning label. If it is likely that a visually impaired person will use the telephone, securely attach the provided warning printed in Braille to the back of the handset.

Installing and Using Your CLS45i

Handset Tone Control

To adjust the frequency of the incoming sounds to the level that gives you the greatest clarity, simply slide the TONE Control switch to LO or HI.



Intercom

The CLS45i can be used like an intercom if you want to speak to or page someone in another room. It can also be used for a three-

way call between the handset, base and a third party on another telephone line.

Paging and Talking to the Handset from the Base

Press INTERCOM on the base and the handset beeps for 15 seconds. If you press and hold INTERCOM, it beeps for 60 seconds.

To stop the beep:

- from the base, press INTERCOM once
- from the handset, press INTERCOM once if you want to talk to the base.

Press INTERCOM twice if you want to end Paging.

Talking to the Base from the Handset

1. Press INTERCOM on the handset. The base is paged, beeps twice and goes directly into Intercom mode, talking with the handset immediately.
2. To exit Intercom mode, press INTERCOM on either the handset or the base.

Reviewing Caller ID Information

Each incoming call is stored using up to 12 characters for the name and up to 16 digits for the number.

If there is new call information, the New Call / In Use light flashes.

1. While in Standby mode, press the UP (▲) or DOWN (▼) button to display the number of new calls and the number of total calls.
2. Press UP (▲) or DOWN (▼) again to view the Caller ID content.
 - a. Press DOWN (▼) to scroll the Caller ID information from the most recent record. Or,
 - b. Press UP (▲) button to scroll through the Caller ID information from the oldest record.

If the caller's number is more than 12 digits, there are two keys you can use as right and left arrows.

1. Press the asterisk (*) to scroll left or
2. Press the pound sign (#) to scroll to the right and view the entire number.

While it scrolls over the list, “-END-” displays. If the CID list is empty, the display reads “NO CID.”

At any time you can press FLASH once to return to Standby mode. Or it will return to Standby automatically after 30 seconds of inactivity.

Placing a Call from Caller ID Information

When reviewing the Caller ID List, press CALLER ID to dial the number with the handset in handset mode. Pressing CALLER ID twice adds a “1” before the dialing digits.

When you place calls using Caller ID information, you have 4 dialing options:

1. For numbers with 7 digits without a “1” prefix:
 - if the area code of the Caller ID number matches the stored area code, press CALLER ID button once within 2 seconds. This action sends out 7 digits only.
2. For numbers with an Area Code + 7 digits but without a “1” prefix
 - If the area code of the Caller ID number matches the stored area code, press CALLER ID twice within 2 seconds. This action sends out Area Code + 7 digits only.
3. For numbers with 10 digits but without a “1” prefix
 - If the stored area code is different from the Caller ID, the memory should store all 10 digits. Press CALLER ID once within 2 seconds to send out 10 digits without a “1” prefix.
4. For numbers with 10 digits with a “1” prefix
 - If the stored area code is different from the Caller ID, the memory should store all 10 digits. Press CALLER ID button twice within 2 seconds to send out a “1” prefix and 10 digits.

Caller ID Functions

Deleting Selected Caller ID Information

1. While reviewing the Caller ID, press DELETE to delete the displayed caller information. The display flashes “ERASE ?”
2. Press INTERCOM to select. The display briefly reads “CID ERASED.” The next Caller ID entry appears automatically or the display reads, “- NO CALLS -” if the list is empty.

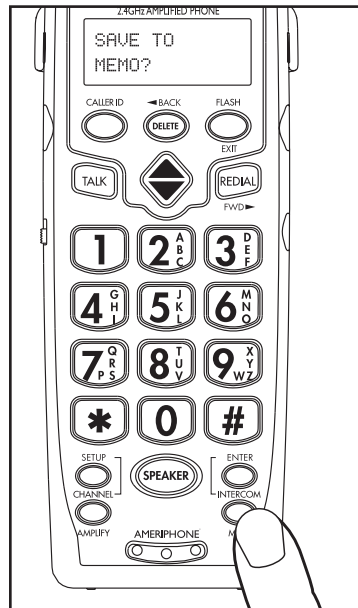
Deleting All Caller ID Information

1. While reviewing the Caller ID, hold down DELETE for two seconds. The display flashes “ERASE ALL ?”
2. Press INTERCOM to select. The display briefly reads “ALL CID” and “ERASED” and then “- NO CALLS -”.

At any time, you can press FLASH one time to return to standby mode. Or it will return to standby automatically when 30 seconds has elapsed without any keys being pressed.

Saving Caller ID Information to Memory

1. While reviewing Caller ID, press MEM button. The display reads “SAVE TO” and “MEMO?”
2. Press INTERCOM to select. Then the display reads “ENTER MEMO” and “LOCATION.”
3. Enter location number [X] (0 through 9).
 - a. If the memory location [X] is empty, the display reads “SAVE AT” and “MEMO X?”
 - b. If the memory location [X] is not empty, display flashes “OVERWRITE” and “MEMO X?”
4. Press INTERCOM to select. Both the phone number (up to 16 digits) and caller’s name (12 characters) will be stored in that memory location. Or press FLASH to exit.



Caller ID Functions

Receiving Call Waiting / Caller ID Calls

When you are on an existing call, you will hear a beep. The display shows incoming call waiting caller ID information.

1. To answer the incoming Call Waiting call, press FLASH. The original call will be placed on Hold and you will be connected to the incoming caller. When you have finished speaking to the incoming caller, press FLASH again to return to your original call.



2. If you access the Call Waiting call, the Caller ID information will disappear and the Time/Day screen will appear.
3. If you do not access the call waiting call, the Caller ID information is transferred into the Caller log. This caller information is considered "old."

Unknown Call

If a call is from another country or caller's number is not available, "UNKNOWN NUMBER" is displayed. It will be stored in Caller ID log.

Blocked Call

If the number is blocked or withheld, "BLOCKED NUMBER" is displayed. It will be stored in Caller ID log.

Repeated Call

If this is a repeated call, it means you have received calls from this same number before and that they have not been reviewed.

Speed Dial and Memory Functions

Storing Numbers in Memory

The CLS45i stores 17 telephone numbers in memory:

- 10 on the handset and
- 7 on the base.

Note: When storing numbers in either the base or handset memory buttons, it's a good idea to make a record of where you stored them. There is no other means for checking to see in which key you have stored a number.

Storing Numbers in the Handset Memory Buttons

The unit must be in Standby mode.

The 0 through 9 number keys on your keypad can be used to store a telephone number in memory. Each stores one number.

Press MEM once and the display reads, "ENTER MEMO NUMBER."

Press the DOWN (▼) button until the display reads "- ." in the top right corner and the words "END OF RECORD" appear on the second and third lines of the display.

Press MEM once to add a number. If no buttons are pressed for 30 seconds, the handset returns to Standby mode.

Enter the number to be stored (up to 16 digits).

Press INTERCOM and the display reads, "ENTER NAME." Enter up to 12 characters, using the numeric pad. You will note that in addition to the numbers, there are also letters

on keys 2 through 9 (for example, the "2" has "A," "B," and "C").

To create the name you would:

- Press "2" once to select "A"
- Press "2" twice to select "B"
- Press "2" three times to select "C"
- Press "2" four times to select "2"; or
- Press DELETE to backspace and erase the digit or character by the last cursor position.

Press INTERCOM and the display reads "ENTER MEMO LOCATION".

Enter the memory location (0 through 9) and press INTERCOM to confirm.

If the location is empty (available), a long beep indicates you have successfully stored that entry and the display reads, "MEMO X" and "STORED".

If the location is not empty, the display reads "OVERWRITE" and "MEMO X? " This is asking you to decide whether or not you want to leave the already-stored number in that location or overwrite it with the new entry you have just created.

If you do want to overwrite the location with the new entry, press INTERCOM to confirm. The display reads "MEMO X" and "STORED". Press ENTER to overwrite the location with the new entry. Press EXIT to return to Standby mode.

This memory storing sequence exits at any wrong key sequence or if no key is pressed after 30 seconds.

Speed Dial and Memory Functions

Storing Numbers in the Base Memory Buttons

The memory buttons for the base are M1 through M4 and ER5 through ER7.

1. Press PROG.
2. Dial the number to be programmed (up to 16 digits).
3. Press PROG.
4. Press one of the memory buttons (M1 through M4, ER5 through ER7). A beep follows. The number is stored.

Adding Memory Numbers followed by an Extension or Menu Choices.

NOTE: If you want to save a number that is followed by an extension or menu choice, program as you would a regular number, with one exception: after you enter the main number, press the REDIAL button. Example: if you wanted to store the number 714 555 2232, but needed to reach extension 323, you would press the following keys:
714 555 2232 REDIAL 323.

Changing Stored Numbers on the Base

If you want to replace one of your stored numbers with another, simply program the new number on top of the old number. For example, if the number you want to replace is stored on M3 on the base, store the new number on the M3 button.

Memory Dialing on the Handset

There are two ways to do this.

Starting with the TALK or SPEAKER Button:

1. In standby mode, press TALK or SPEAKER to open the line.
2. Press MEM and the desired memory key location (0 through 9). The number is dialed automatically.

Starting with MEM Button (the unit must be in standby mode):

1. Press the MEM button once.
2. Press desired memory location key (0 through 9).
3. Press TALK or SPEAKER. The handset opens the line and automatically dials the number.

Memory Dialing on the Base

1. Press the memory key where the number is stored (M1, M2, M3, M4, ER5, ER6, ER7) and the number is dialed automatically.
2. To dial hands-free using the speaker, first press SPEAKER, listen for the dial tone, and then press the memory key.

Reviewing Memory Information on the Handset

Unit must be in stand-by mode.

1. Press MEM once. The display reads, "ENTER MEMO NUMBER".
2. Enter location number (0 - 9) or press UP-(▲) or DOWN (▼) to review the last to first location.
 - If the location is not blank, the display

Speed Dial and Memory Functions

shows location, name and telephone number.

- If the memory location is blank, the display shows location number in the top right corner and the words, "RECORD EMPTY?"
3. Press UP (▲) or DOWN (▼) to review the previous or next location.
 4. Press "DOWN (▼). At the end of the memory the display shows "- -" in the top right corner plus the words, "END OF RECORD."

Press FLASH once to return the handset to stand-by mode. Or, Press MEM again to add a memory entry. If no key is pressed for 30 seconds, the handset will return to Standby mode.

Deleting a Stored Number

The unit must be in standby mode.

1. Press MEM once. The display reads "ENTER MEMO NUMBER."
2. Enter location number (0 through 9) or press UP (▲) or DOWN (▼) to review the last or first location. The display shows location number in the top right corner plus the name and telephone number.
3. Press DELETE to erase memory. The display indicates this action.
4. Press INTERCOM to confirm. The display reads "MEMO X" and "ERASED" together with a success key tone. Use any other key to return to memory review menu.

Transferring Calls from the Handset to the Base

While talking on the handset with either the TALK or the SPEAKER button engaged,

1. Press INTERCOM on the handset to place the call on Hold and connect with the intercom on the base.
2. Press SPEAKER on the base for the base to pick up the call.

Note: You can retrieve the call again by pressing TALK or SPEAKER.

Transferring Calls from the Base to the Handset

The base must be in SPEAKERPHONE mode (SPEAKER button must be On.).

1. Press INTERCOM on the base. This places the call on Hold and the In-Use light changes from steady On to flashing. A series of rings occur on the handset and the display reads, "PAGING" and "LINE ON HOLD."
2. Press INTERCOM on the handset to talk to the base. The display reads, "INTERCOM" and "LINE ON HOLD."
3. Press INTERCOM on the handset again to bring the handset back into standard talk mode

Three-Way Conference Calls

JOINING A CALL IN PROGRESS ON THE HANDSET:

1. Press SPEAKER on the base unit. The handset display changes from "TALK" to "CONF"
2. To disconnect the base from the conference call, press the SPEAKER button on the base. Handset again reads "TALK."

Troubleshooting

JOINING A CALL IN PROGRESS ON THE BASE:

1. Press SPEAKER or TALK on the handset. The handset display changes from "LINE IN USE" TO "CONF."
2. To disconnect the handset from the conference call, press TALK or SPEAKER. The handset display again reads "LINE IN USE."

For your convenience, we have listed some common problems that may occur with cordless phones, followed by a list of items that should be checked.

Telephone does not work?

Check to ensure:

- Base is plugged into POWER SOURCE.
- Handset is CHARGED.
- TONE/PULSE switch is in the right position
- TELEPHONE LINE CORD is plugged into both the TELEPHONE and the TELEPHONE LINE JACK.

Range of telephone limited?

Check to ensure:

- ANTENNA on the base is raised
- Base is centrally located in your residence
- Base is not located near appliances

No dial tone?

Check to ensure:

- Telephone plug is connected to the TELEPHONE LINE
- Base is plugged into the POWER SOURCE

Received signal filters or fades?

Check to ensure:

- Battery pack in HANDSET is fully charged
- HANDSET is not too far from the BASE
- ANTENNA on BASE is raised

Interference on reception?

Check the following:

- Noise may be picked up from electrical products in the home or electrical storms. Generally, this noise is a minor annoyance and should not be interpreted as a defect in your system.
- Choose an alternate channel using CHANNEL on the handset.

Static?

Check to ensure:

- That the ANTENNA is not touching another metal object.
- Raise or reposition the ANTENNA on the base. If, after pressing TALK, you receive three beeps and no dial tone, check to ensure:
- Base is plugged into POWER SOURCE.

Regulatory Compliance

Important Information for Customers

Part 68 of FCC Rules Information

This CLS45i complies with Part 68 of the FCC rules and the requirements adopted by the ACTA. On the bottom of this equipment is a label that contains, among other information, a product identifier in the format US:AAAEQ##TXXXX. If requested, this number must be provided to the telephone company.

A plug and jack used to connect this CLS45i telephone to the premises wiring and telephone network must comply with the applicable FCC Part 68 rules and requirements adopted by the ACTA. A compliant telephone cord and modular plug, USOC RJ11C, is provided with this product. It is designed to be connected to a compatible modular jack that is also compliant. See installation instructions for details.

The Ringer Equivalence Number (REN) is used to determine the number of devices that may be connected to a telephone line. Excessive RENs on a telephone line may result in the devices not ringing in response to an incoming call. In most but not all areas, the sum of RENs should not exceed five (5.0). To be certain of the number of devices that may be connected to a line, as determined by the total RENs, contact the local telephone company. For products approved after July 23, 2001,

the REN for this product is part of the product identifier that has the format US:AAAEQ##TXXXX. The digits represented by ## are the REN without a decimal point (e.g., 03 is a REN of 0.3). For earlier products, the REN is separately shown on the label.

If this telephone equipment causes harm to the telephone network, the telephone company will notify you in advance that temporary discontinuance of service may be required. But if advance notice isn't practical, the telephone company will notify the customer as soon as possible. Also, you will be advised of your right to file a complaint with the FCC if you believe it is necessary.

The telephone company may make changes in its facilities, equipment, operations or procedures that could affect the operation of the equipment. If this happens the telephone company will provide advance notice in order for you to make necessary modifications to maintain uninterrupted service.

If trouble is experienced with this telephone equipment, for repair or warranty information, please contact Clarity, 800-426-3738. If the equipment is causing harm to the telephone network, the telephone company may request that you disconnect the equipment until the problem is resolved.

This telephone equipment is not intended to be repaired and it contains no repairable parts. Opening the equipment or any attempt to perform repairs will void the warranty. For service or repairs, call 1-800-426-3738.

Connection to party line service is subject to state tariffs. Contact the state public utility commission, public service commission or corporation commission for information.

If your home has specially wired alarm equipment connected to the telephone line, ensure the installation of this telephone equipment does not disable your alarm equipment. If you have questions about what will disable alarm equipment, consult your telephone company or a qualified installer.

This telephone equipment is hearing aid compatible.

We recommend the installation of an AC surge arrester in the AC outlet to which this equipment is connected. The telephone companies report that electrical surges, typically lighting transients, are very destructive to customer terminal equipment connected to AC power sources

Customer-Owned Coin/ Credit Card Phones

To comply with state tariffs, the telephone company must be given notification prior to connection. In some states, the state public utility commission, public service commission or corporation commission must give prior approval of connection.

Part 15 of FCC Rules Information

This device complies with part 15 of the FCC Rules. Operation is subject to the following two conditions:

1. This device may not cause harmful interference, and
2. this device must accept any interference received, including interference that may cause undesired operation.

Your telephone equipment has been tested and found to comply with the limits of a Class B digital device, pursuant to Part 15 of FCC rules. These limits are designed to provide reasonable protection against harmful interference in residential installation.

This equipment generates, uses, and can radiate radio frequency energy and, if not installed and used in accordance with the instructions, may cause harmful interference to radio communications. However, there is no guarantee that interference

Regulatory Compliance

Important Information for Customers

(continued)

will not occur in a particular installation; if this equipment does cause harmful interference to radio or television reception, which can be determined by turning the equipment off and on, you are encouraged to try to correct the interference by one of the following measures:

1. Where it can be done safely, reorient the receiving television or radio antenna.
2. To the extent possible, relocate the television, radio or other receiver with respect to the telephone equipment. (This increases the separation between the telephone equipment and the receiver)
3. Connect the telephone equipment into an outlet on a circuit different from that to which the television, radio, or other receiver is connected.
4. Consult the dealer or an experienced radio/TV technician for help.

CAUTION: Changes or modifications not expressly approved by the manufacturer responsible for compliance could void the user's authority to operate the equipment.

THE PARTY RESPONSIBLE FOR
PRODUCT COMPLIANCE:
Ameriphone Products by Clarity®,
A Division of Plantronics, Inc.
4289 Bonny Oaks Drive
Chattanooga, TN 37406
PHONE: (800) 426-3738

Industry Canada Technical Specifications

This product meets the applicable Industry Canada technical specifications.

Before installing this equipment, users should ensure that it is permissible to be connected to the facilities of the local telecommunications company. The equipment must also be installed using an acceptable method of connection. In some cases, the company's inside wiring associated with a single line individual service may be extended by means of a certified connector assembly (telephone extension cord). The customer should be aware that compliance with the above conditions may not prevent degradation of service in some situations.

Repairs to certified equipment should be made by an authorized Canadian maintenance facility designated by the supplier. Any repairs or alterations made by the user to this equipment, or equipment malfunctions, may give the telecommunications company cause to request the user to disconnect the equipment.

Users should ensure for their own protection that the electrical ground connections of the power utility, telephone lines and internal metallic water pipe system, if present, are connected together. This precaution may be particularly important in rural areas.

CAUTION: Users should not attempt to make such connections themselves, but should contact the appropriate electric inspection authority, or electrician, as appropriate.

The Ringer Equivalence Number is an indication of the maximum number of terminals allowed to be connected to a telephone interface. The termination on an interface may consist of any combination of devices subject only to the

requirement that the sum of the Ringer Equivalence Numbers of all the devices does not exceed five.

[The term “IC:” before the certification/ registration number only signifies that the Industry Canada technical specifications were met.]

This warranty applies only to Ameriphone products that are purchased and used in the United States or Canada.

Warranty Procedure

Clarity warrants the CLS45i Cordless Amplified Telephone against any defect in materials or workmanship for the period of one year from the date of purchase.

If your Ameriphone telephone is defective and returned within 30 days of the date of purchase, your Clarity dealer will replace it at no charge.

If returned after 30 days but within one year from the date of purchase, we will repair or replace it at no charge. In the repair of your CLS45i Cordless Amplified Telephone, we may use new or reconditioned replacement parts. If we elect to replace your CLS45i Cordless Amplified Telephone, we may replace it with a new or reconditioned product of the same or similar design. Repair or replacement will be warranted for either 90 days or the remaining time on the original warranty period, whichever is longer.

Implied warranties, including those of fitness for a particular purpose and merchantability (an unwritten warranty that the product is fit for ordinary use), are limited to one year from date of purchase. We will not pay for loss of time, inconvenience, loss of use of your CLS45i Amplified Telephone, or property damage caused by your CLS45i Amplified Telephone or its failure to work, or any other incidental or consequential damages.

Some states do not allow limitations on how long an implied warranty lasts or the exclusion of incidental or consequential damages, so the above exclusions or limitations may not apply to you.

To get warranty service for your CLS45i Cordless Amplified Telephone, you must provide proof of the purchase date.

Within 30 days of the date of purchase, return your CLS45i Cordless Amplified Telephone to the place where you purchased it for immediate replacement. After 30 days, call Clarity at 800-426-3738 voice or 800-772-2889 TTY for the authorized service center nearest you. You must prepay all shipping costs. We suggest you save the original package materials in the event you need to ship the CLS45i Cordless Amplified Telephone.

When shipping for warranty repair, include your name, address, phone number, proof of date of purchase, and a description of the problem. After repairing the product, we, (or the service center) will ship it back to you at no cost within the United States and Canada. CANADIAN RESIDENTS: call Clarity at 800-426-3738, 800-772-2889 TTY for instructions. This warranty does not cover defects resulting from accidents, damage while in transit to our service location, alterations, unauthorized repair, failure to follow instructions, misuse, use outside the United States or Canada, fire, flood, and acts of God. Nor do we warrant the product to be compatible with any particular telephone equipment, party line, key telephone systems or more sophisticated switching systems. If your CLS45i Cordless Amplified Telephone is not covered by this warranty, call us at 800-426-3738 voice or 800-772-2889 TTY for advice as to whether we will repair your CLS45i Cordless Amplified Telephone and other repair information. The repair shall be warranted for 90 days.

Product Specifications

CLS•45i Dual Speaker Cordless Amplified Telephone

Operates on analog telephone lines

Amplification

Incoming up to 40dB

Electrical

Adapter Class 2 transformer

Input 120V AC 60Hz

Output 9V DC 500mA

Jacks

Handset

3.5mm remote input

3.5mm audio output

2.5mm headset

Base

3.5mm speaker output

Battery Specifics Handset

Operating

Number 1 battery pack (3 cell)

Size 2/3 AA

Type 3.6V 750mAh NiMH

Base

Backup

4

AA

Alkaline

Features and Specifications subject to change without notice.

CLS-45i

Téléphone Sans Fil Amplifié à Deux
Haut-Parleurs et L'identification de L'appellant



Manuel de Utilisation

Important : consignes de sécurité

Lors de l'utilisation de votre équipement téléphonique, il convient de toujours appliquer des précautions de base de sécurité pour réduire les risques d'incendie, de choc électrique et de blessure, notamment :

1. Lisez toutes les instructions, en vous assurant de les comprendre.
2. Suivez tous les avertissements et instructions mentionnés sur le téléphone.
3. N'utilisez pas ce téléphone près d'une baignoire, d'un lavabo, d'un évier ou d'un bac à lessive, dans un sous-sol humide, près d'une piscine ou dans tout autre endroit où se trouve de l'eau.
4. Évitez d'utiliser un téléphone (si ce n'est pas un téléphone sans fil) pendant un orage. Il y a un léger risque de choc électrique du fait de la foudre.
5. N'utilisez pas le téléphone pour signaler une fuite de gaz à proximité de la fuite.
6. Débranchez ce téléphone des prises murales avant de le nettoyer. N'utilisez pas de nettoyants liquides ou aérosol sur le téléphone. Utilisez un chiffon humide pour le nettoyage.
7. Placez ce téléphone sur une surface stable. Sa chute pourrait entraîner des dommages et/ou blessures graves.
8. Ne recouvrez pas les fentes et ouvertures de ce téléphone. Ce téléphone ne doit jamais être placé à proximité d'un radiateur ou d'une bouche d'air chaud ou dessus. Ce téléphone ne doit pas être placé dans une installation fermée à moins qu'elle n'ait une ventilation adéquate.
9. Utilisez ce téléphone avec une tension électrique correspondant à celle indiquée sur la base ou dans le manuel du propriétaire. Si vous n'êtes pas sûr de la tension de votre résidence, consultez votre revendeur ou votre compagnie locale d'électricité.
10. Ne posez rien sur le câble d'alimentation. Installez le téléphone dans un endroit où personne ne risque de marcher sur le fil ou de trébucher dessus.
11. Ne surchargez pas les prises murales et les câbles : cela pourrait augmenter le risque d'incendie ou de choc électrique.
12. N'enfoncez jamais aucun objet dans les fentes du téléphone. Ils pourraient toucher des parties sous tension ou causer des courts-circuits, ce qui pourrait entraîner un risque d'incendie ou de choc électrique. Ne renversez jamais de liquide sur le téléphone.
13. Pour réduire le risque de choc électrique, ne démontez pas ce téléphone. En l'ouvrant ou en enlevant les couvercles, vous vous exposez à des tensions électriques dangereuses et à d'autres risques. Un réassemblage incorrect peut entraîner un choc

Consignes de sécurité

- électrique lors du fonctionnement de l'appareil.
14. Dans les cas suivants, débranchez ce produit des prises murales et faites-le réparer par le fabricant :
 - A. si le câble d'alimentation ou la fiche sont abîmés.
 - B. si du liquide a été renversé dans le produit.
 - C. si le téléphone a été exposé à la pluie ou éclaboussé.
 - D. si le téléphone ne fonctionne pas normalement bien que vous suiviez le mode d'emploi. Ne faites que les réglages par le mode d'emploi. De mauvais réglages peuvent exiger un travail important de la part d'un technicien qualifié pour que le téléphone fonctionne à nouveau.
 - E. si le téléphone est tombé ou si son boîtier a été endommagé.
 - F. si le fonctionnement du téléphone est nettement dégradé.
 15. N'installez jamais des connexions téléphoniques pendant un orage.
 16. N'installez jamais les connecteurs téléphoniques dans des endroits humides à moins que ces connecteurs soient spécifiquement conçus pour les endroits humides.
 17. Ne touchez jamais des fils ou terminaux téléphoniques non isolés à moins que la ligne téléphonique n'ait été débranchée à l'endroit de sa connexion avec le réseau.
 18. Soyez prudent(e) lors de l'installation ou de la modification des lignes téléphoniques.
 19. Utilisez uniquement le câble d'alimentation et les piles indiqués dans le manuel. Ne jetez pas de piles au feu, car elles pourraient exploser. Cherchez dans la réglementation locale les dispositions concernant le cas échéant les déchets spéciaux.

Important : consignes de sécurité

Lors de l'utilisation de votre équipement téléphonique, il convient de toujours appliquer des précautions de base de sécurité pour réduire les risques d'incendie, de choc électrique et de blessure, notamment :

1. Lisez toutes les instructions, en vous assurant de les comprendre.
2. Suivez tous les avertissements et instructions mentionnés sur le téléphone.
3. N'utilisez pas ce téléphone près d'une baignoire, d'un lavabo, d'un évier ou d'un bac à lessive, dans un sous-sol humide, près d'une piscine ou dans tout autre endroit où se trouve de l'eau.
4. Évitez d'utiliser un téléphone (si ce n'est pas un téléphone sans fil) pendant un orage. Il y a un léger risque de choc électrique du fait de la foudre.
5. N'utilisez pas le téléphone pour signaler une fuite de gaz à proximité de la fuite.
6. Débranchez ce téléphone des prises murales avant de le nettoyer. N'utilisez pas de nettoyeurs liquides ou aérosol sur le téléphone. Utilisez un chiffon humide pour le nettoyage.
7. Placez ce téléphone sur une surface stable. Sa chute pourrait entraîner des dommages et/ou blessures graves.
8. Ne recouvrez pas les fentes et ouvertures de ce téléphone. Ce téléphone ne doit jamais être placé à proximité d'un radiateur ou d'une bouche d'air chaud ou dessus. Ce téléphone ne doit pas être placé dans une installation fermée à moins qu'elle n'ait une ventilation adéquate.
9. Utilisez ce téléphone avec une tension électrique correspondant à celle indiquée sur la base ou dans le manuel du propriétaire. Si vous n'êtes pas sûr de la tension de votre résidence, consultez votre revendeur ou votre compagnie locale d'électricité.
10. Ne posez rien sur le câble d'alimentation. Installez le téléphone dans un endroit où personne ne risque de marcher sur le fil ou de trébucher dessus.
11. Ne surchargez pas les prises murales et les câbles : cela pourrait augmenter le risque d'incendie ou de choc électrique.
12. N'enfoncez jamais aucun objet dans les fentes du téléphone. Ils pourraient toucher des parties sous tension ou causer des courts-circuits, ce qui pourrait entraîner un risque d'incendie ou de choc électrique. Ne renversez jamais de liquide sur le téléphone.
13. Pour réduire le risque de choc électrique, ne démontez pas ce téléphone. En l'ouvrant ou en enlevant les couvercles, vous vous exposez à des tensions électriques dangereuses et à d'autres risques. Un réassemblage incorrect peut entraîner un choc

Consignes de sécurité

- électrique lors du fonctionnement de l'appareil.
14. Dans les cas suivants, débranchez ce produit des prises murales et faites-le réparer par le fabricant :
 - A. si le câble d'alimentation ou la fiche sont abîmés.
 - B. si du liquide a été renversé dans le produit.
 - C. si le téléphone a été exposé à la pluie ou éclaboussé.
 - D. si le téléphone ne fonctionne pas normalement bien que vous suiviez le mode d'emploi. Ne faites que les réglages par le mode d'emploi. De mauvais réglages peuvent exiger un travail important de la part d'un technicien qualifié pour que le téléphone fonctionne à nouveau.
 - E. si le téléphone est tombé ou si son boîtier a été endommagé.
 - F. si le fonctionnement du téléphone est nettement dégradé.
 15. N'installez jamais des connexions téléphoniques pendant un orage.
 16. N'installez jamais les connecteurs téléphoniques dans des endroits humides à moins que ces connecteurs soient spécifiquement conçus pour les endroits humides.
 17. Ne touchez jamais des fils ou terminaux téléphoniques non isolés à moins que la ligne téléphonique n'ait été débranchée à l'endroit de sa connexion avec le réseau.
 18. Soyez prudent(e) lors de l'installation ou de la modification des lignes téléphoniques.
 19. Utilisez uniquement le câble d'alimentation et les piles indiqués dans le manuel. Ne jetez pas de piles au feu, car elles pourraient exploser. Cherchez dans la réglementation locale les dispositions concernant le cas échéant les déchets spéciaux.

Pour votre information

Merci d'avoir choisi le CLS45i amplifié téléphone sans fil d'Ameriphone. Ce mode d'emploi et le guide de référence rapide fournissent les informations nécessaires pour une utilisation sans risques et efficace du CLS45i. Lisez entièrement ce document avant d'utiliser votre téléphone, et conservez-le à proximité pour pouvoir le consulter facilement.

Garantie

Votre téléphone est prévu pour assurer des années de bon fonctionnement. Si cependant il a un défaut de fonctionnement et que vous ne parvenez pas à le résoudre à l'aide des conseils de résolution de problèmes de la page 25, suivez la procédure de garantie indiquée page 30.

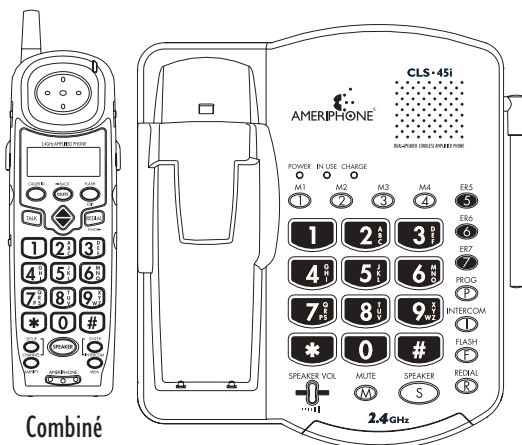
Reçu

Conservez votre reçu comme preuve de la date d'achat au cas où vous devriez recourir au service de garantie.

Assistance Ameriphone

Pour obtenir de l'assistance sur l'utilisation de votre CLS45i, appelez notre Service clientèle au 800-426-3738.

Assurez-vous que votre boîte contient les articles illustrés ci-dessous.

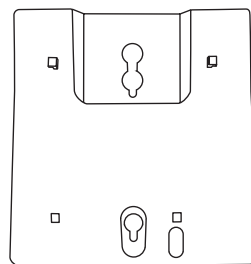


Combiné

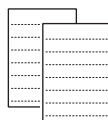
Base



Adaptateur électrique



Base du socle

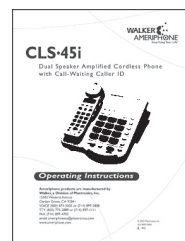


Liste de numéros de téléphone



Cordons modulaires

La batterie



Manuel de Utilisation

Liste des pièces

À propos de votre nouveau CLS45i

Le CLS45i est le modèle vedette de la gamme Ameriphone®. Il a été spécialement conçu avec une série sans précédent de fonctions afin d'offrir des années de service pratique et utile. Il a été fabriqué avec la technologie la plus récente et il est conçu pour être facile à utiliser, en particulier pour les personnes qui ont des problèmes d'audition au téléphone.

Le CLS45i est un téléphone sans fil amplifié à deux haut-parleurs qui utilise une technologie 2,4 GHz pour donner plus de puissance et une portée opérationnelle étendue.

Votre nouveau téléphone est conçu pour atteindre la portée maximum de transmission et de réception en fonction des plus hautes spécifications énumérées par le FCC. Nous avons classés ce téléphone pour qu'il fonctionne à une distance maximum tenant en considération que la portée dépend de l'environnement où on s'en sert. En se servant du téléphone, il se peut que vous ressentiez une interférence d'autre appareil électronique. Si vous vous servez de votre combiné près d'un micro-onde en fonction, vous pourriez entendre un bruit du combiné ou du haut-parleur. Éloignez vous du micro-onde et approchez vous du socle. Lors d'un appel, en éloignant le combiné du socle, le bruit s'accroît. Si vous dépassez la portée limite du socle, votre appel sera coupé.

Littéralement, il s'agit de deux téléphones à haut parleur combinés en un seul appareil. Il y a un haut-parleur dans le combiné et un dans la base. Que le combiné soit sur la base ou non, vous pouvez donc utiliser la base comme un téléphone à haut-parleur standard. Vous pouvez aussi utiliser le combiné indépendamment comme un autre téléphone à haut-parleur, a ailleurs chez vous. Vous pouvez également l'utiliser comme intercom entre plusieurs pièces.

Le CLS45i possède un amplificateur puissant (40dB) doté d'un réglage de timbre séparé pour vous permettre d'ajuster le son de l'appelant au volume et à la fréquence que vous entendez le mieux. De plus, vous ne manquez aucun appel, grâce à ses témoins de sonnerie rouges

lumineux qui clignent et à sa sonnerie particulièrement forte.

Le CLS45i permet l'identification de l'appelant et le signalement des appels en attente. Pour utiliser ces fonctions, vous devez vous abonner auprès de votre compagnie de téléphone au service d'identification de l'appelant. L'écran à cristaux liquides du combiné affiche clairement les coordonnées de l'appelant et vous guide à travers les quelques étapes simples à suivre pour régler les autres fonctions spéciales du CLS45i.

Sur la base, vous trouverez sept (7) touches de numérotation rapide, dont trois (de couleur rouge) prévues pour les numéros d'urgence. Vous pouvez enregistrer d'autres numéros, mais les numéros d'urgence seront plus accessibles s'ils sont associés aux touches rouges (ER5, ER6 et ER7).

Le combiné peut stocker les numéros appelés les plus fréquemment dans les dix (10) touches de composition, en deux étapes.

Le CLS45i possède de nombreuses autres fonctions et caractéristiques, expliqués dans les pages suivantes.

Note: Le CLS45i emploie un système de circuits sophistiqué pour réduire au minimum l'écho acoustique (crissement) pendant qu'il est posé contre votre oreille. Néanmoins, vous pourriez ressentir un écho en retournant votre combiné au socle. Pour réduire cela, raccrochez le téléphone ou éteignez l'amplificateur avant de retourner le combiné au socle.

Nous espérons que vous prendrez plaisir à utiliser votre nouveau CLS45i et que vous apprécierez les possibilités et la liberté supplémentaires qu'il vous offre.

Nous vous remercions sincèrement de votre soutien aux produits Ameriphone. Si vous pensez que nous pouvons vous aider, appelez notre Service clientèle au 800-426-3738. Nous aimerions aussi recevoir vos commentaires.

Fonctions – Combiné

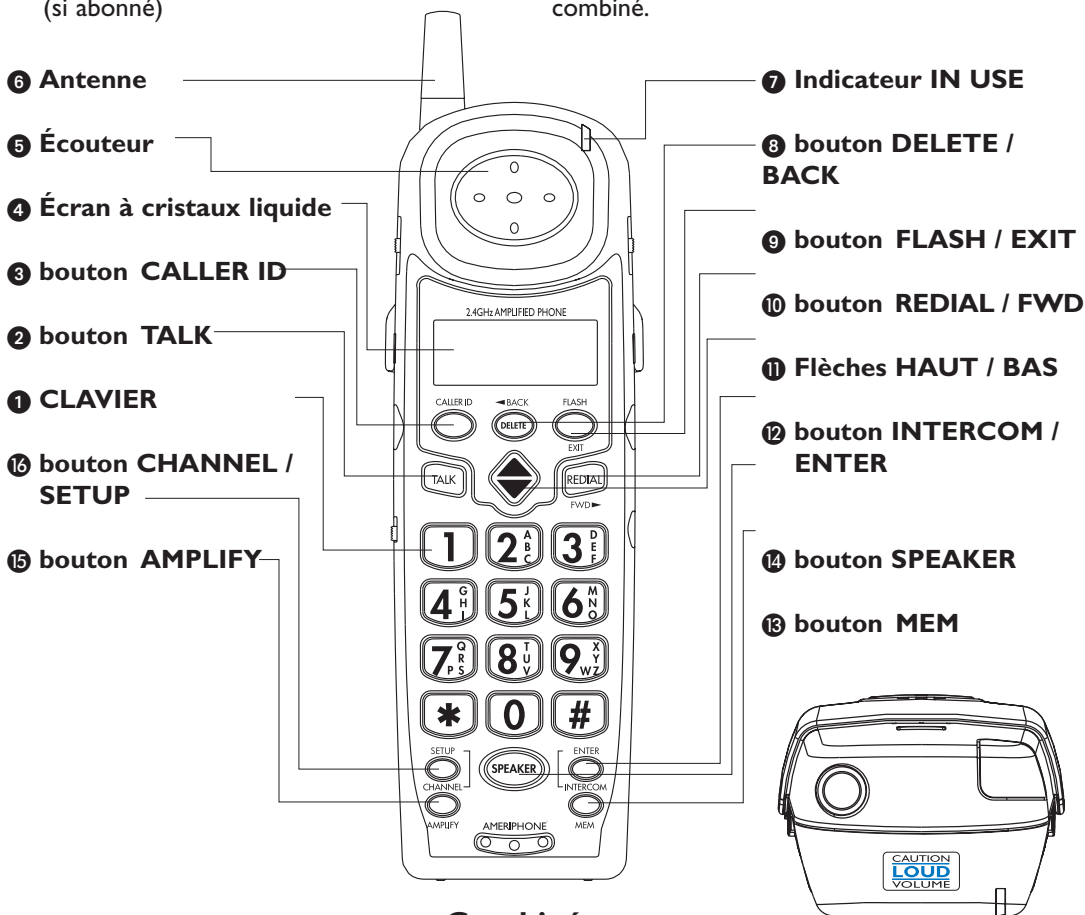
Le CLS45i possède toute une série de fonctions, dont les suivantes :

- Amplification jusqu'à 40dB
- Communication mains libres
- Identification de l'appelant (si abonné)
- Intercom
- Numérotation à partir de numéros enregistrés
- Haut-parleurs
- Téléconférence à trois et Appel en attente (si abonné)

- Portabilité à l'utilisation à l'intérieur d'une zone

Pour faciliter l'utilisation, la touche 5 comporte un picot et les touches de mémoire et de fonctions de la base ont des symboles en relief.

Puisque la plupart des fonctions sont disponibles à la fois sur le combiné et sur la base, nous allons d'abord examiner les fonctions du combiné.



Combiné

Les contrôles et indicateurs suivants sont situés sur la face avant du combiné.

- 1 **Clavier.** Le clavier du combiné il est éclairé
- 2 **Touche PARLER (TALK).** Allume et éteint le combiné. Il peut être utilisé pour répondre, appeler ou raccrocher.
- 3 **Touche IDENTIFICATION (Caller ID)** Permet de composer le numéro de l'appelant correspondant à la position sélectionnée à l'aide de la touche _ ou _.
- 4 **Écran à cristaux liquide.** Affiche les coordonnées de l'appelant et l'état du téléphone. Il stocke jusqu'à 50 numéros de téléphone et permet de choisir entre trois langues.
- 5 **Écouteur.**
- 6 **Antenne.**
- 7 **Indicateur EN COURS D'UTILISATION (IN USE).** Il s'allume lorsque le téléphone est en cours d'utilisation. Il clignote lorsque les nouveaux appels n'ont pas été consultés.
- 8 **Bouton EFFACER (DELETE).** Ce bouton est utilisé pour :
 - a. effacer les coordonnées de l'appelants
 - b. faire marche arrière et pour supprimer des caractères lorsque vous mettez des noms et des numéros en mémoire.
- 9 **Bouton FLASH (CONTACT DIRECT).** Appuyer pour accéder aux services proposés par abonnement par votre compagnie de téléphone, comme Appel en attente (si disponible).
- 10 **Bouton RENUMÉROTATION (REDIAL).** Ce bouton sert à :
 - a. **Pour recomposer le dernier numéro composé** Appuyez sur bouton pour recomposer le dernier numéro que vous avez composé, jusqu'à 32 chiffres.

fres. Ce doit être le premier bouton appuyé lorsque vous réactivez le combiné (en le sortant de son logement dans la base ou en appuyant sur PARLER).

- b. **Pour insérer des pauses dans les numéros** Lorsque vous enregistrez des numéros en mémoire, appuyez sur RENUMÉROTATION pour insérer des pauses selon les besoins, par exemple si vous tapez une séquence de numéros (comme les numéros d'une carte d'appel ou de carte de crédit). Il se peut que l'on vous demande de fournir des renseignements d'information ou de validation lors de transactions téléphoniques, avec une banque ou un vendeur par exemple. Dans ce cas, on vous demandera à chaque étape de fournir des données telles que les 4 derniers chiffres de votre numéro de sécurité sociale, votre date de naissance, votre numéro de téléphone, votre code postal, etc. Les pauses sont aussi utilisées pour composer un numéro suivi d'un poste ou d'un choix dans un menu.
 - c. **Pour faire avancer le curseur au caractère suivant** En stockant des noms en mémoire, (par exemple « BEN »), une fois que vous avez sélectionné « B » sur la touche « 2 », appuyez RENUMÉROTATION pour déplacer le curseur vers la droite, où vous taperez le « e » sur la touche « 3 ». Appuyez encore RENUMÉROTATION pour faire avancer le curseur de façon à taper toutes les lettres du nom. Appuyez PROG pour mettre le numéro en mémoire.
- 11 **Flèches HAUT/BAS. (voir boutons)** Appuyez sur les flèches pour faire défiler les lignes des coordonnées de

Fonctions – Combiné

l'appelant.

- 12 **Bouton INTERCOM/ENTER.**
Appuyez ce bouton pour activer la fonction intercom.
- 13 **Bouton MEM.** Le bouton MEM est utilisé pour mettre en mémoire les numéros fréquemment composés et les numéros d'urgence.
- 14 **Bouton HP (SPEAKER).** Il permet d'allumer et d'éteindre le haut-parleur du combiné. Il sert aussi à répondre aux appels. Pour obtenir de meilleurs résultats, après avoir allumé cette fonction, le combiné étant hors de son logement sur la base, placez le combiné face en bas ou sur le côté pour ne pas obstruer la grille du haut-parleur.
- 15 **Bouton AMPLIFICATEUR (AMPLIFY).** Ce bouton active ou désactive l'amplification supplémentaire. Appuyez-le pour activer l'amplificateur du combiné afin d'obtenir le son le plus fort. Si le bouton est en position active, il est éclairé et l'amplification maximum est de 40dB. S'il est en position inactive, il est éteint et l'amplification maximum est de 18dB.
- 16 **Bouton CANAL.**
 - a. Ce bouton est utilisé pour changer les canaux de fréquence en cas d'interférence sur la ligne. 40 canaux sont disponibles. S'il y a des interférences sur la ligne, appuyez sur ce bouton pour passer à un autre canal, qui vous donnera normalement une meilleure réception.
 - b. En pressant la touche CANAL trois (3) secondes, vous passez au mode Configuration. Vous le verrez indiqué sur l'écran.

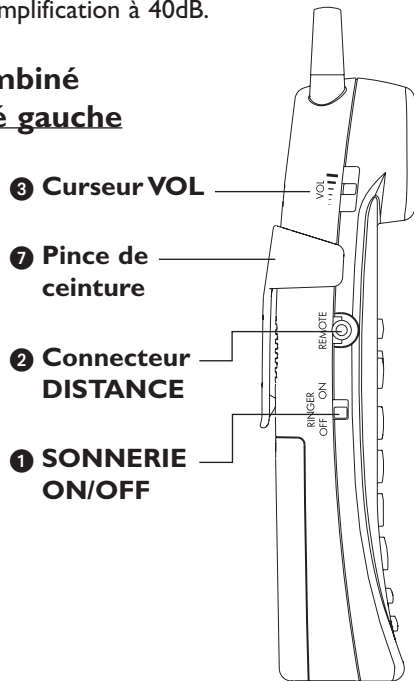
Contrôles et fonctions du combiné :

Il y a des réglages sur les deux côtés du combiné.

Côté gauche :

- 1 **SONNERIE ON/OFF.** Ce commutateur active et désactive la sonnerie du combiné.
- 2 **Connecteur DISTANCE.** Ce connecteur de 3,5 mm s'utilise avec des appareils optionnels de réglage à distance, comme le commutateur d'oreiller ER Pillow Switch d'Ameriphone ou l'Air Switch.
- 3 **Curseur VOL.** Lorsque la fonction d'amplification (AMPLIFY) du combiné est inactive, ce curseur vous permet de régler l'amplification de volume de 0 à 18dB. Lorsque AMPLIFICATION est active, ce contrôle de volume vous permet de régler l'amplification à 40dB.

Combiné côté gauche



Droite :

- 4 **TONE LO/HI (aigu/grave).** Permet de régler le timbre pour mieux entendre la voix de votre correspondant dans le combiné, par exemple en distinguant plus clairement les mots qui ont des sons voisins. Il ne fonctionne que si AMPLIFICATION est active.
- 5 **Connecteur AUDIO.** Connecteur de

Fonctions – Combiné

3,5 mm servant à connecter d'autres dispositifs de sonorisation assistée tels qu'une boucle de cou (neckloop), un implant cochléaire ou un haut-parleur d'ordinateur.

- 6 **Connecteur de casque.** Connecteur de 2,5 mm pour l'utilisation d'un casque. Votre combiné vous permet de téléphoner en gardant les mains libres si vous le connectez à un casque (non inclus).

Quand vous branchez un casque dans le connecteur HEADSET, le microphone et le haut-parleur du combiné sont automatiquement désactivés. Pour retourner au mode normal, débranchez le casque.

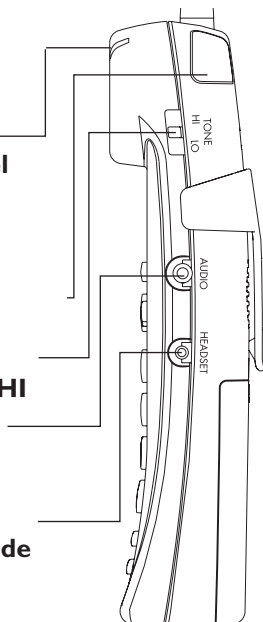
Des casques sont disponibles dans la plupart des magasins et des distributeurs spécialisés qui vendent des équipements de téléphonie. Le casque est compatible uniquement avec les connecteurs casques de 2,5 mm.

Autres fonctions du combiné :

- 7 **Pince de ceinture.** Votre CLS45i a une pince de ceinture détachable située à l'arrière du combiné.

Combiné droite

- 8 **Indicateur Nouvel appel / En cours d'utilisation**
- 9 **Sonnerie visuelle**
- 4 **TONE LO / HI**
- 5 **Connecteur AUDIO**
- 6 **Connecteur de CASQUE**



- 8 **Sonnerie visuelle.** Ce témoin rouge situé en haut à droite du combiné clignote lorsque votre téléphone sonne.
- 9 **Indicateur Nouvel appel / En cours d'utilisation.** Cet indicateur, situé en haut à droite de l'écouteur, clignote pour vous signaler la réception d'un nouvel appel ou lorsque le combiné est en cours d'utilisation.

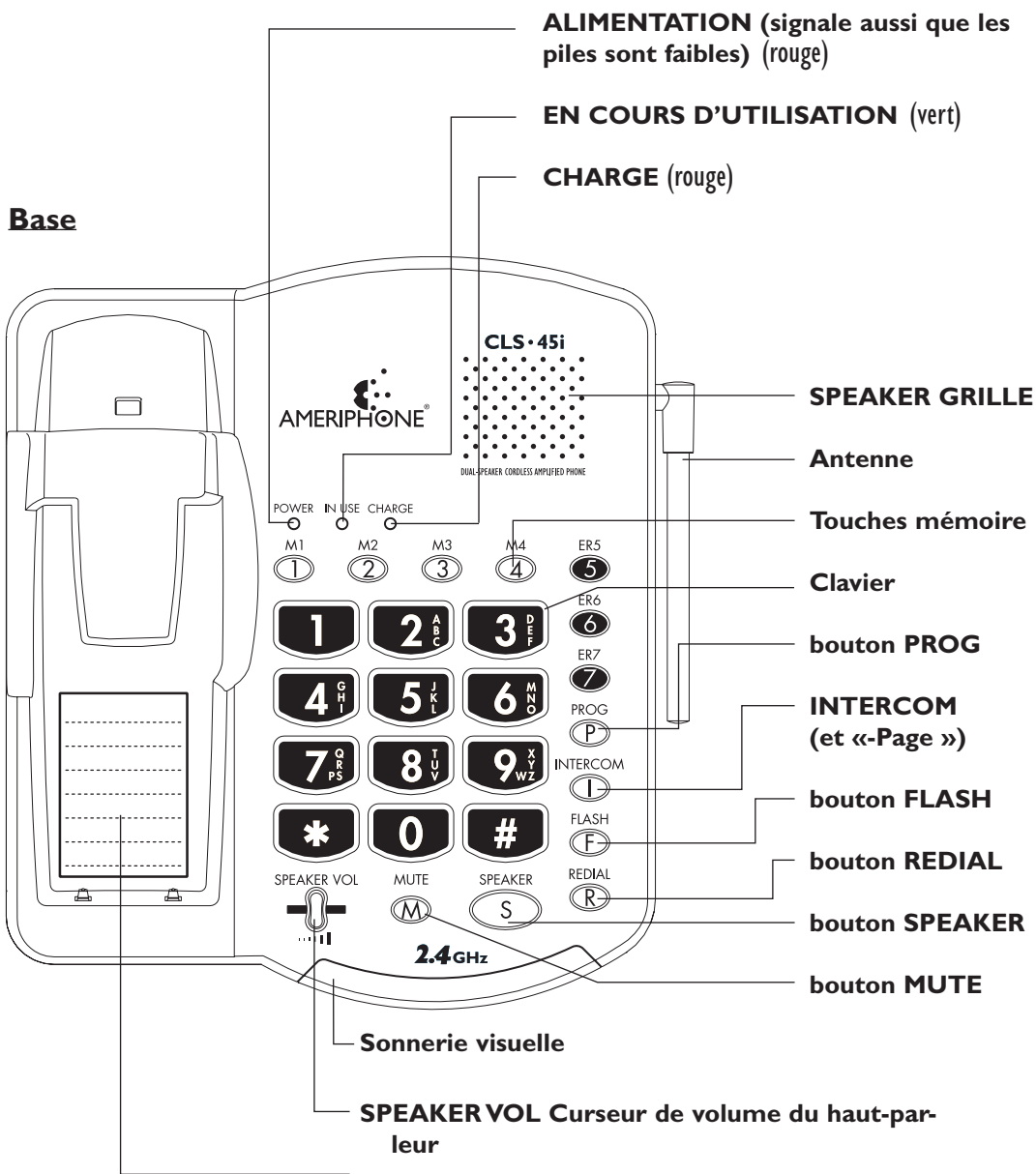
Détails de l'indicateur d'identification de l'appelant

Lorsque vous recevez un appel téléphonique, l'écran à cristaux liquides fournit diverses données sur l'appelant :

- **Nouvel appel/ Compteur d'appels**
Cette ligne affiche le nombre d'appels et de nouveaux appels en mode attente (attente). Si vous avez reçu un appel que vous n'avez pas consulté, l'écran affiche « Nouvel » et le témoin de Nouvel appel / En cours d'utilisation du combiné clignote.
- **Indicateur d'appels répétés** Cet indicateur s'allume et si vous avez reçu plusieurs appels du même numéro de téléphone.
- **Heure** Affichage de la date et l'heure (am/pm) actuelles ou d'un appel répertorié avec l'identification de l'appelant.
- **Date** Affiche la date et l'heure du moment (format mm/jj), ou la date et l'heure d'un appel répertorié avec l'identification de l'appelant.
- **Numéro ligne 12 chiffres** Affiche le numéro de l'appelant ou le numéro que vous avez composé.



Fonctions – Base



Liste de numéros de téléphone

Fonctions et réglages situés sur le haut de la base.

ALIMENTATION (signale aussi que les piles sont faibles) C'est le témoin le plus à gauche au-dessus du clavier. Il indique que l'appareil est raccordé au secteur, ou que les piles de secours sont faibles. Consultez la table page 12.

EN COURS D'UTILISATION Ce témoin vert est allumé lorsque la ligne téléphonique est en cours d'utilisation. Lorsque vous transférez un appel, elle se met à clignoter.

CHARGE Ce témoin est allumé lorsque le combiné est sur son socle.

Touches du clavier Les touches du clavier sont lumineuses qui s'allument lorsque vous composez un numéro.

Touches mémoire M1 à M4 et ER5 à ER7. Les touches M1 à M4 servent pour les numéros fréquemment appelés et les touches ER5 à ER7 sont affectées aux numéros d'urgence. L'on peut enregistrer un numéro de 16 chiffres sur chacune des touches. Elles sont activées en appuyant qu'une seule fois. Voir pages 21-22.

Touche PROG Appuyez sur cette touche pour mémoriser les numéros fréquemment appelés et les numéros d'urgence. Voir page 22.

Touche INTERCOM (et « Page ») Appuyez sur cette touche pour repérer le combiné, pour transférer un appel ou pour avoir une conversation entre la base et le combiné. Cette touche sert également à faire un appel téléconférence à trois entre le combiné, la base et un poste situé sur une autre ligne téléphonique.

FLASH Appuyez sur cette touche pour utiliser les services spéciaux de la compagnie de téléphone, comme Appel en attente et d'autres services sur abonnement.

Renumérotation Pressez cette touche pour recomposer le dernier numéro que vous avez appelé. Pause vous permet d'insérer une pause dans un numéro de poste ou un choix de menu lorsque vous enregistrez des numéros. Vous pouvez enregistrer des numéros de 32 chiffres. Voir la description supplémentaire page 5.

Touche HP Cette touche s'allume lorsque le haut-parleur est en marche. Appuyez-le pour faire une conversation « mains libres », avec un volume réglable.
NB : En mode Haut-parleur, vous n'entendez qu'un interlocuteur à la fois. Il est donc recommandé d'attendre la fin de l'intervention de votre correspondant avant de parler à votre tour, faute de quoi vous pourriez perdre des éléments de conversation.

Touche SILENCE Appuyez sur cette touche pour activer ou désactiver le microphone de la base (pour des questions de confidentialité accrue).

SPEAKER VOL Curseur de volume du haut-parleur Permet de régler le volume du haut-parleur de la base.

Antenne Maintenez l'antenne verticale pour bénéficier d'une meilleure réception et minimiser les interférences sur la ligne.

Sonnerie visuelle Elle clignote lorsque le téléphone reçoit un appel.

Liste de numéros de téléphone La boîte contient une gaine plastique adhésive et plusieurs fiches de téléphone où vous pouvez noter les numéros de téléphone que vous avez enregistrés à l'aide des boutons mémoire ou pour tout autre numéro. Détachez simplement l'arrière de la gaine et collez-la sur la base, dans le bas du socle du combiné, tel qu'indiqué.

Fonctions – Base

Contrôles situés sur la droite

AMPLIFICATION ON/OFF Ce bouton indique la valeur de départ de l'amplification du combiné. En position On, les appels du combiné commencent en mode amplifié. En position Off, les appels du combiné sont en mode non-amplifié. La touche Amplificateur du combiné fait passer l'amplification d'un niveau à l'autre, quelle que soit la position du bouton On/Off. **MISE EN GARDE: quand le bouton est mis à ON, le volume est plus fort que la normale quand le combiné est en marche. Pour protéger les personnes à l'ouïe normale, nous suggérons de remettre le bouton à OFF. Ceci maintiendra le volume au niveau normal jusqu'à temps que le bouton AMPLIFY est mis en marche.**

T P (Tone/Pulse) : fréquences vocales / impulsions). Faites glisser ce bouton pour le mettre dans la position correspondant à votre type de service téléphonique : « T » pour les téléphone à clavier ou « P » pour téléphone à cadran.

VOLUME DE LA SONNERIE Faites glisser le bouton de sonnerie pour le mettre en position "L" (grave) ou « H » (aigu).

SONNERIE. Faites glisser le bouton de volume de sonnerie en position « OFF » (silencieuse), « L » (faible), « M » (moyenne) ou « H » (forte).

Connecteur audio EXT SPK OUT Ce connecteur de 3,5 mm est compatible avec les haut-parleurs d'ordinateur personnel et les appareils auditifs comme les boucles de cou (neckloops) et les implants cochléaires. Voir page 7 (combiné).

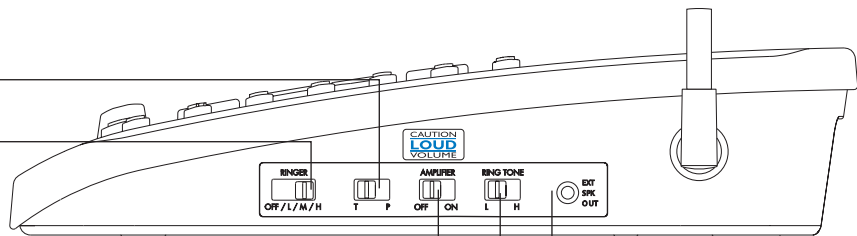
T P (Tone/Pulse)

VOLUME DE LA SONNERIE

AMPLIFICATION ON/OFF

SONNERIE

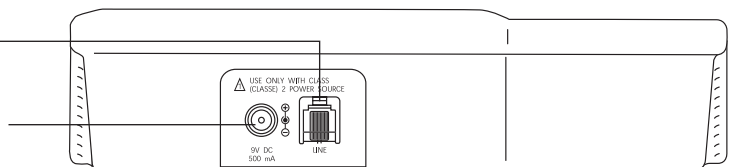
Connecteur audio EXT SPK OUT



Sur la droite

Connecteur de ligne téléphonique

Connecteur d'alimentation en courant continu (AC)



Partie arrière

Partie arrière de la base.

Connecteur d'alimentation en courant continu (AC) Connecteur de l'adaptateur électrique.

Connecteur de ligne téléphonique

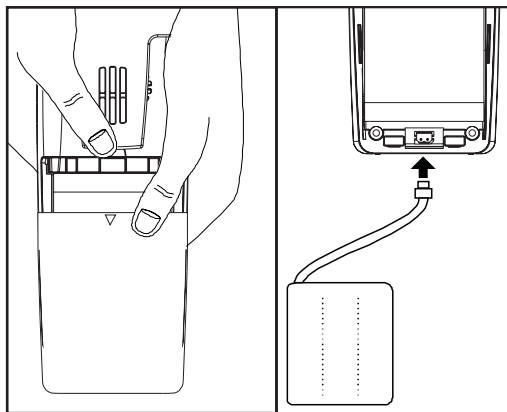
Ce connecteur, situé près du connecteur d'alimentation permet de se connecter à la ligne téléphonique.

La mise en route de votre CLS45i comporte six (6) étapes.

1. Installez la batterie (fournie) dans le combiné.
2. (facultatif) Placez quatre piles alcalines AA dans la base (comme sauvegarde en cas d'interruption du secteur).
3. Décidez si vous voulez placer le téléphone sur une table ou accroché au mur (si c'est sur le mur, suivez les instructions d'installation au mur)
4. Raccordez le câble de la ligne téléphonique à la base et au connecteur téléphonique mural
5. Raccordez l'adaptateur électrique à une prise électrique.
6. Placez le combiné dans son logement sur la base, touches vers le haut, et laissez-le en charge pendant une nuit ou 10 à 14 heures.

Une fois que votre téléphone est installé et que le combiné est chargé, vous pouvez programmer jusqu'à 17 numéros de téléphone avec les boutons de numérotation rapide et régler les autres fonctions spéciales.

Installation, remplacement et chargement de la batterie du combiné



Note : la batterie doit être complètement chargée avant l'utilisation du CL-S45i.

Retirez le couvercle de la batterie de l'arrière du combiné en poussant le bouton du compartiment de batterie et glissant le couvercle vers le bas du combiné.

1. Pour installer le bloc-pile, branchez le câble du bloc-pile dans le borne du compartiment de batterie. Remplacez le couvercle de batterie en le glissant en place jusqu'à qu'il "clique".
2. Pour remplacer le bloc-pile, retirez le couvercle de batterie tel que mentionné ci-haut et débranchez la batterie de son compartiment. Enlever le bloc-pile. Installez le nouveau bloc-pile et branchez le câble du bloc-pile dans le borne du compartiment de batterie. Remplacez le couvercle de batterie en le glissant en place jusqu'à qu'il "clique".

Contrôle du niveau de la pile du combiné

L'icône batterie indiquera "full" si le niveau de la charge est adéquate. Alors que le téléphone est utilisé la batterie se déchargera. Quand la

Installation et utilisation de votre CLS45i

charge du combiné est basse l'afficheur indiquera que l'icône batterie est "empty", l'unité "sonnera" à chaque trente (30) secondes, et la lumière IN USE/NEW CALL clignotera. Si vous êtes en ligne, il coupera au bout d approximativement deux (2) minutes. Placez le combiné dans le socle pour recharger la batterie.

Pour maximiser la charge de la pile, il est recommandé de remettre le combiné sur son socle lorsqu'il n'est pas utilisé, et la nuit.

Lorsque le combiné n'est pas sur son socle, la pile reste chargée en principe plusieurs jours, selon l'utilisation.

Comment maximiser la durée d'utilisation de la batterie du combiné

Pour optimiser la vie de la pile, de temps en temps, déchargez-la complètement et rechargez-la.

Pour cela, débranchez simplement votre câble téléphonique du connecteur mural, pressez PARLER et laissez le combiné allumé 10 à 14 heures. Puis reconnectez le câble téléphonique au connecteur mural. Remettez le combiné sur son socle et laissez-le en charge pendant 12 heures.

Faire cette procédure tous les mois réduira les accumulations dans la mémoire causées par de fréquents rechargements partiels de la pile.

Contrôle du niveau des sauvegardes de données dans la base

Le tableau suivant indique la signification des témoins et des indicateurs de la base pour qui détermine l'état des piles et de l'alimentation électrique.

Tableau I

Alimentation secteur (AC)	Batterie non installée	Bonne Batterie	Batterie Faible	Couleur du Témoin
oui		oui		vert continu
oui	oui			rouge continu
oui			oui	clignote vert/rouge
no		oui		clignotant rouge
no			oui	clignotant rouge, s'éteint

Connexion de votre téléphone

Mettez le bouton de style de numérotation sur T (tone : téléphone à clavier). Mettez-le sur P (pulse : impulsions) si vous avez un téléphone à cadran.

Vous pouvez connecter votre téléphone de façon à le mettre sur une table ou accroché à un mur.

Installation et utilisation de votre CLS45i

Utilisation sur une table

Pour une utilisation normale sur une table, placez la base à n'importe quel endroit souhaité et convenable. Vous n'avez pas besoin de support de montage.

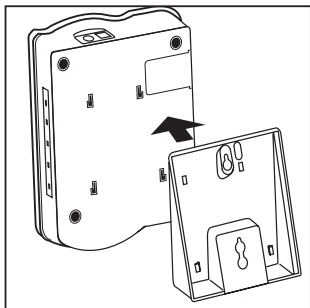
- Soulevez l'antenne sur la base.
- Raccordez l'autre bout du câble téléphonique dans le connecteur téléphonique mural.
- Raccordez l'adaptateur électrique à une prise électrique murale normale (120V alternatif).

NB : N'utiliser que l'adaptateur électrique fourni par Ameriphone.

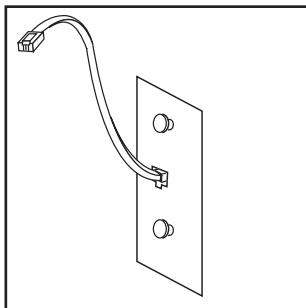
ATTENTION : Placez le téléphone et les câbles à un endroit où ils ne risquent pas de gêner les mouvements, d'être endommagés, ne prendre feu ou de risques électriques.

Installation murale

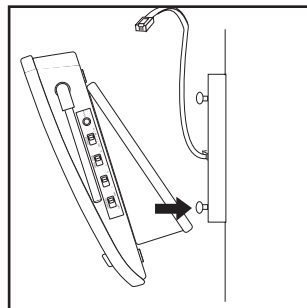
Vous pouvez installer la base de votre CLS45i sur un mur.



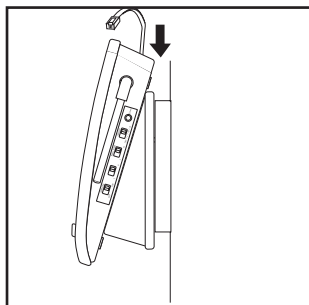
1



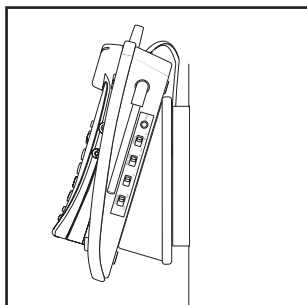
2



3



4



5

Réglage de l'identification de l'appelant

La procédure de réglage de l'identification de l'appelant ne peut être effectuée qu'une fois le combiné complètement chargé.

Passage au mode configuration

NB : En mode Configuration, si une donnée attendue n'est pas fournie dans les 30 secondes, le programme choisira la dernière sélection de ce mode (par exemple la langue) et le CLS45i reviendra en mode Attente. Si à un moment donné vous voulez sortir du mode Configuration et revenir en attente, appuyez sur FLASH.

Choix de la langue sur le combiné

1. Appuyez sur CHANNEL / SETUP trois (3) secondes pour passer au mode Configuration. L'écran d'identification de l'appelant indique « CHOIX LANG. ».
2. Appuyez sur INTERCOM / ENTER une fois pour passer au choix de la langue. La langue actuellement sélectionnée s'affiche en clignotant.
3. Utilisez les flèches ▲ ou ▼ pour faire défiler les valeurs possibles. La langue affichée passera à « FRANÇAIS » ou « ESPAÑOL ».
4. Appuyez sur INTERCOM pour choisir.
5. Utilisez ▲ ou ▼ pour passer au menu suivant.

Réglage du contraste du combiné

1. Appuyez sur CHANNEL / SETUP trois (3) secondes pour passer au mode Configuration. L'écran d'identification de l'appelant indique « CHOIX LANG. ».
2. Utilisez ▲ ou ▼ pour passer au menu suivant. L'écran indique la dernière sélection.
3. Appuyez sur INTERCOM une fois pour

passer au mode de réglage du contraste. Le niveau actuel clignote.

4. Utilisez ▲ ou ▼ pour changer de niveau.
5. Appuyez sur INTERCOM pour choisir.
6. Utilisez ▲ ou ▼ pour passer au menu suivant.

Réglage de l'heure et de la date

La date et l'heure sont automatiquement actualisées à la réception de la première identification d'appelant.

Initialement, la date et l'heure sont « 12 :00 AM 01/01 ».

Si vous perdez l'heure à cause d'une coupure électrique, l'horloge clignote à la remise en route.

1. Appuyez sur CHANNEL / SETUP trois (3) secondes pour passer au mode Configuration. L'écran d'identification de l'appelant indique « CHOIX LANG. ».
2. Appuyez sur ▲ jusqu'à ce que l'écran affiche « HEURE/DATE ».
3. Appuyez sur INTERCOM pour modifier la date. L'écran affiche la date et l'heure actuelles sur la première ligne, par exemple « 12 :05AM 12/20 »; le chiffre du mois clignote.
4. Appuyez sur ▲ ou ▼ pour changer le mois.
5. Appuyez sur INTERCOM une fois pour choisir. Après le choix du mois, la date clignote.
6. Appuyez sur ▲ ou ▼ pour changer la date.
7. Appuyez sur INTERCOM une fois pour choisir. Après le choix de la date, les chiffres des heures clignotent.
8. Appuyez sur ▲ ou ▼ pour changer l'heure.
9. Appuyez sur INTERCOM une fois pour choisir. Après votre choix, les chiffres des minutes clignotent.
10. Appuyez sur ▲ ou ▼ pour changer les minutes.

11. Appuyez sur INTERCOM une fois pour choisir. Après votre choix, la mention AM/PM clignote.
12. Appuyez sur ▲ ou ▼ à pour passer à AM ou PM.
13. Appuyez sur INTERCOM pour choisir. Après le choix d'AM ou PM, la date détaillée disparaît.
14. Appuyez sur INTERCOM pour réafficher les détails de la date, ou bien appuyez sur ▲ ou ▼ pour passer au menu suivant.

Activation/désactivation de l'identification de l'appelant

1. Appuyez sur CHANNEL / SETUP trois (3) secondes pour passer au mode Configuration. L'écran d'identification de l'appelant indique « CHOIX LANG. ».
2. Appuyez utilisez ▲ ou ▼ jusqu'à ce que l'écran affiche « CID MODE ON ».
3. Sur ▲ pour activer ou désactiver la fonction CID (par défaut, elle est activée).
4. Appuyez sur INTERCOM / ENTER une fois pour passer au mode de sélection de CID.
5. Appuyez sur ▲ ou ▼ pour changer de mode.
6. Appuyez sur INTERCOM / ENTER pour confirmer votre choix.
7. Appuyez sur ▲ ou ▼ pour passer au menu suivant.

Activation/désactivation de la fonction Auto-Talk (prise rapide de communication)

Lorsque cette fonction est activée, vous répondez aux appels entrants en soulevant simplement le combiné de son socle pendant que le téléphone sonne.

NB : Si Auto-Talk est activé, n'appuyez pas sur

PARLER pour répondre, car cela couperait la communication. D'autre part, la communication est automatiquement lorsque vous remettez le combiné sur son socle (ou si vous appuyez sur PARLER).

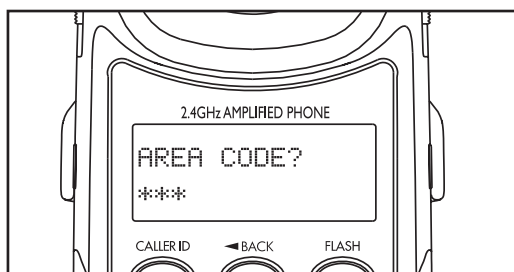
NB : Si la fonction Auto-Talk est désactivée, prendre le combiné de son socle ne répond pas à l'appel : vous devrez appuyer sur PARLER ou HP.

1. Appuyez sur CHANNEL / SETUP trois (3) secondes pour passer au mode Configuration. L'écran d'identification de l'appelant indique « CHOIX LANG. ».
2. Utilisez jusqu'à ce que l'écran affiche « AUTOTALK ON/OFF » (la valeur par défaut étant ON : activé). Si Auto-Talk est désactivé, l'écran affiche « AUTOTALK OFF ».
3. Appuyez sur INTERCOM / ENTER pour passer au mode de sélection d'Auto-Talk. Les valeurs ON / OFF clignotent.
4. Utilisez ▲ ou ▼ pour modifier la valeur.
5. Appuyez INTERCOM / ENTER pour choisir.
6. Utilisez ▲ ou ▼ pour passer au menu suivant.

Réglage du code régional

1. Appuyez sur CHANNEL / SETUP trois (3) secondes pour passer au mode Configuration. L'écran d'identification de l'appelant indique « CHOIX LANG. ».
2. Pressez ▲ jusqu'à ce que l'écran affiche « AREA CODE ? » suivi de « *** » ou de la dernière valeur sélectionnée (par exemple « 123 »).
3. Appuyez sur INTERCOM / ENTER pour passer au mode de réglage du code régional. Le premier chiffre du groupe de droite clignote (« 123 -> 123 »).
4. Tapez votre code régional à l'aide des touches numériques du combiné.

- Appuyez sur INTERCOM / ENTER pour confirmer; les chiffres que vous avez tapés passent à gauche et cessent de clignoter.
- Utilisez ▲ ou ▼ pour passer au menu suivant. Pour refaire la configuration votre CLS45i, appuyez sur CANAL deux secondes en mode Attente : vous rentrez ainsi en mode Configuration.



Votre CLS45i reste en mode Configuration jusqu'à ce que (a) vous faites les étapes du réglage, que (b) vous pressiez FLASH / EXIT, ou que (c) vous attendiez 30 secondes sans appuyer sur aucune touche. Cependant, le réglage correspondant à l'identification de l'appelant reste, elle, enregistrée, et peut être consultée après avoir réalisé le Réglage.

Pour effectuer des appels

Vous pouvez effectuer des appels à partir du combiné ou de la base. NOTE: N'oubliez pas, vous devez rechargé la batterie du combiné de 10 à 14 heures avant de vous en servir pour la première fois.

Pour effectuer des appels à partir du combiné s'il n'est pas sur son socle

- Appuyez sur PARLER pour parler et

écouter dans le combiné. Le témoin d'utilisation s'allume; ou bien :

- Appuyez sur la touche HP pour utiliser le combiné comme téléphone à haut-parleur (vous pouvez parler et écouter sur le combiné).
- La touche HP s'allume.
- Le témoin d'utilisation s'allume.
- Attendez la tonalité.
- Composez le numéro.
- Quand vous avez terminé la communication, appuyez sur HP ou PARLER pour raccrocher. Le témoin d'utilisation s'éteint.

Pour effectuer des appels à partir de la base, le combiné étant dans son logement ou non (en utilisant le micro et le haut-parleur de la base)

- Appuyez sur HP.
- Le bouton HP s'allume.
- Attendez la tonalité.
- Composez le numéro.
- Quand vous avez terminé la communication, pressez HP.
- La touche HP s'éteint.



Mode « temporaire » de numérotation à clavier

Si vous avez mis votre téléphone en mode de numérotation par impulsions et que vous voulez effectuer un appel en mode numérotation à clavier, vous n'avez pas à changer les

réglages. Appuyez simplement sur « * » pour passer temporairement en mode numérotation par clavier. Toutes les touches numériques appuyées après « * » seront composées en numérotation à clavier. Si vous utilisez RENUMÉROTATION, la composition se fera également en numérotation à clavier.

Le mode numérotation à clavier restera activé jusqu'à ce que vous raccrochiez le combiné avec le doigt; vous repasserez alors en mode Impulsions.

Réception des appels

Lorsqu'un appel arrive, vous pouvez répondre sur le combiné ou sur la base.

Pour répondre à partir du combiné s'il est sur son socle :

Vous devez soulever le combiné pour répondre. Lorsque le téléphone sonne, les témoins de sonnerie de la base et du combiné clignotent. NB : si le combiné est dans son logement, seule la sonnerie de la base retentit.

1. Soulevez le combiné pour commencer votre conversation.
 - a. Si Auto-Talk est activé, ne pressez pas la touche PARLER.
 - b. Si Auto-Talk est désactivé, vous devez appuyer sur la touche PARLER.
2. Pour terminer votre conversation, pressez PARLER ou remettez le combiné sur son socle.

Lorsque vous remettez le combiné sur son socle, placez-le avec les touches vers le haut pour pouvoir voir l'identification de l'appelant et pour qu'il se charge automatiquement.

Pour répondre à partir du combiné s'il n'est pas sur son socle

Occasionnellement, vous pourriez temporairement laisser le combiné dans une autre pièce et l'utiliser pour répondre. NB : Le bouton SONNERIE du combiné doit être activé pour que le combiné puisse sonner.

1. Lorsque le téléphone sonne, pressez le bouton PARLER ou HP pour répondre.
2. Lorsque vous avez fini de parler, pressez le bouton de nouveau PARLER ou HP pour raccrocher.

Pour répondre aux appels à partir de la base, le combiné étant sur son socle ou non (en utilisation le micro et le haut-parleur de la base)

1. Pressez HP.
2. Le bouton HP s'allume.
3. Écoutez et parlez près de la base.
4. Réglez le volume du haut-parleur en faisant glisser le bouton HPVOL vers la gauche ou la droite.
5. Lorsque vous avez terminé la communication, appuyez sur HP.
6. La lumière de HP s'éteint.

Amplificateur du combiné

Le CLS45i possède un amplificateur puissant qui peut amplifier de 40dB le niveau de l'appel, selon vos réglages.

Si la touche AMPLIFICATION du combiné est désactivée, le réglage VOL du combiné vous permet d'amplifier le signal de 18dB maximum.

Si la touche AMPLIFICATION du combiné est activée, le réglage VOL du combiné vous permet d'amplifier le signal à 40dB. La touche Amplifier s'éclaire lorsqu'elle est activée.

Réglage du volume :

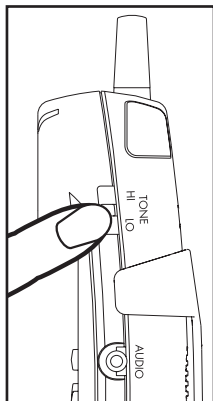
1. Appuyez sur le bouton AMPLIFIER. Il s'allume.

- Déplacez le curseur VOL (en haut à gauche du combiné) pour choisir le niveau d'amplification qui vous convient le mieux.

ATTENTION Une exposition répétée et cumulative à des niveaux d'amplification de plus de 18dB peut être nocif pour les personnes ayant des problèmes d'audition. N'enlevez pas l'étiquette d'avertissement collé derrière le combiné. Si une personne malvoyante risque d'utiliser le téléphone, fixez solidement la version Braille de l'avertissement (fournie) derrière le combiné.

Contrôle du timbre du combiné

Pour régler la fréquence du signal reçu afin d'obtenir la meilleure clarté possible, mettez simplement le bouton TONE sur HI ou LO (aigu, grave).



Intercom

Le CLS45i peut être utilisé comme intercom si vous voulez parler à quelqu'un qui est dans une autre pièce ou lui envoyer un signal par sonnerie.

Il peut aussi être utilisé pour appels conférence à trois entre le combiné, la base et un correspondant sur une autre ligne téléphonique.

Pour faire sonner le combiné et communiquer avec lui à partir de la base

Pressez INTERCOM / ENTER sur la base : le combiné sonne 15 secondes. Si vous maintenez INTERCOM appuyé, le combiné sonne 60 secondes.

Pour arrêter la sonnerie :

- à partir de la base, pressez INTERCOM une fois
- à partir du combiné, pressez INTERCOM / ENTER une fois si vous voulez parler à la base; ou appuyez sur INTERCOM / ENTER deux fois si vous voulez simplement arrêter la sonnerie.

Pour parler à la base à partir du combiné

- Pressez la touche INTERCOM / ENTER du combiné. La base émet deux bips et passe directement en mode Intercom; vous pouvez communiquer avec le combiné immédiatement.
- Pour quitter le mode Intercom, pressez INTERCOM / ENTER sur le combiné ou sur la base.

Pour consulter l'identification de l'appelant

Les coordonnées de chaque appel reçu sont enregistrées avec 12 caractères maximum pour le nom et 16 chiffres maximum pour le numéro.

Si vous avez des informations sur un nouvel appel, le témoin **Nouvel appel / En cours d'utilisation** clignote.

1. En mode **Attente**, utilisez le ▲ ou _ pour afficher le nombre de nouveaux appels et le nombre total d'appels.
2. Pressez de nouveau ▲ ou _ pour consulter l'identification de l'appelant.
 - a. Pressez ▲ pour faire défiler les coordonnées de l'appelant à partir de l'entrée la plus récente. Ou bien...
 - b. Pressez ▲ pour faire défiler l'identification de l'appelant à partir de l'entrée la plus ancienne.

Si le numéro de l'appelant a plus de 12 chiffres, il y a deux touches que vous pouvez utiliser comme flèches droite et gauche :

1. pressez l'astérisque (*) pour faire défiler vers la gauche ou
2. pressez le dièse (#) pour faire défiler vers la droite et voir le numéro au complet.

Lorsque toute la liste a défilé, la mention « —END— » s'affiche. Si la liste est vide, c'est la mention « **NO CID** » (pas d'identification d'appelants) qui s'affiche.

À tout moment, pour revenir en mode **attente**, vous pouvez appuyer sur **FLASH / EXIT** ou attendre 30 secondes sans appuyer sur aucune autre touche.

Pour effectuer un appel à partir des coordonnées de l'appelant

En affichant la liste des coordonnées des appelants, pressez **ID APP** pour composer le numéro (le combiné étant en mode réception). En pressant **ID APP** deux fois, vous

ajoutez un « 1 » au début des chiffres. Lorsque vous appelez en utilisant les coordonnées d'un appelant, vous avez 4 possibilités de numérotation :

1. Pour les numéros à 7 chiffres sans préfixe « 1 » :
 - si le code régional de l'appelant est le même que celui enregistré, pressez le bouton **IDENTIFICATION DE L'APPELANT** une fois dans un délai de 2 secondes. Vous composez ainsi les 7 chiffres seulement.
2. Pour les numéros comportant un code régional + 7 chiffres mais sans préfixe « 1 » :
 - Si le code régional de l'appelant qui celui enregistré, pressez **IDENTIFICATION DE L'APPELANT** deux fois en 2 secondes. Vous composez ainsi le code régional et les 7 chiffres.
3. Pour les numéros de 10 chiffres mais sans préfixe « 1 » :
 - Si le code régional de l'appelant est différent du code régional enregistré, la mémoire devrait enregistrer les 10 chiffres. Pressez **IDENTIFICATION DE L'APPELANT** une seule fois dans l'espace de 2 secondes pour envoyer les 10 chiffres sans préfixe « 1 ».
4. Pour les numéros à 10 chiffres avec un préfixe « 1 » :
 - Si le code régional de l'appelant est différent du code régional enregistré, la mémoire devrait enregistrer les 10 chiffres. Pressez le bouton **IDENTIFICATION DE L'APPELANT** deux fois en 2 secondes pour composer le préfixe « 1 » et les 10 chiffres.

Suppression des coordonnées de certains appelants

1. En affichant les coordonnées de l'appelant,

Fonctions de l'identification de l'appelan

pressez DELETE / BACK. L'écran affiche en clignotant « EFFACER ? ».

2. Pressez INTERCOM / ENTER pour confirmer. L'écran affiche brièvement « ID APP EFFACÉE ». L'écran affiche les coordonnées de l'appelant suivant, ou bien « - AUCUN APPEL - » s'il n'y en a pas.

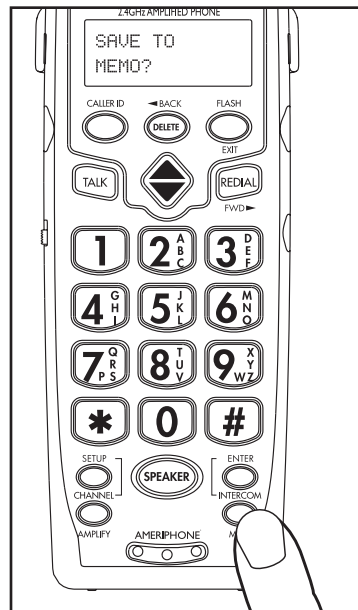
Suppression des coordonnées de tous les appelants

1. En affichant les coordonnées d'un appelant, pressez DELETE / BACK deux secondes. L'écran affiche en clignotant « EFFACER TOUS ? ».
2. Pressez INTERCOM / ENTER pour confirmer. L'écran affiche brièvement « ID APP EFFACÉE », puis « - AUCUN APPEL - ».

À tout moment, pour revenir en mode attente, vous pouvez presser FLASH / EXIT ou attendre 30 secondes sans presser aucune touche.

Mise en mémoire des coordonnées d'un appelant

1. En affichant les coordonnées de l'appelant, pressez la touche ** MEM. L'écran affiche « SAUVEGARDER » et « MEMO ? »
2. Pressez INTERCOM / ENTER pour choisir. L'écran affiche alors « SAISIE MEMO » et « LOCATION » (endroit).



3. Tapez le chiffre correspondant à la position en mémoire [X] (entre 0 et 9).
 - a. Si cette position [X] est vide, l'écran affiche « SAUVEGARDER » et « MEMO X? »
 - b. Si cette position [X] est déjà utilisée, l'écran affiche en clignotant « REMPLACER » et « MEMO X? »
4. Pressez INTERCOM / ENTER pour choisir.

Fonctions de l'identification de l'appelan

Le numéro de téléphone (jusqu'à 16 chiffres) et le nom de l'appelant (12 caractères) seront enregistrés à cet endroit de la mémoire. Ou bien pressez FLASH / EXIT pour sortir.



Réception d'appels en attente / Identification de l'appelant (lorsque vous êtes déjà en communication)

Lorsque vous êtes en communication et qu'un vous appelle, vous entendez un bip et l'écran affiche les coordonnées du deuxième correspondant, qui est mis en attente.

1. Pour prendre cet appel en attente, pressez FLASH / EXIT. La première communication est mise en attente et vous êtes connecté au deuxième correspondant. Lorsque vous avez fini votre conversation, appuyez sur FLASH /EXIT de nouveau pour revenir à la

première communication.

2. Si vous prenez la deuxième communication, les coordonnées du deuxième correspondant disparaissent en laissant la place à la date et l'heure.
3. Si vous ne prenez pas la deuxième communication), les coordonnées de l'appelant sont placées dans la liste d'appelants et sont considérées comme « anciennes ».

Appel d'un numéro inconnu

Si l'appel vient de l'étranger ou si le numéro de l'appelant n'est pas disponible, l'écran affiche « UNKNOWN NUMBER » (numéro inconnu). Cela sera enregistré dans la liste des coordonnées d'appelants.

Appel bloqué

Si le numéro est bloqué ou non communiqué, la mention « NUMÉRO BLOQUÉ » s'affiche. Cela sera enregistré dans la liste des coordonnées d'appelants.

Appel à répétition

Il s'agit d'un appel répété, cela signifie que vous avez déjà reçu des appels de ce même numéro mais que vous n'avez toujours pas consulté.

Mise en mémoire de numéros

Le CLS45i peut conserver 17 numéros de téléphone :

- 10 sur le combiné et
- 7 sur la base.

NB : En stockant des numéros avec les boutons mémoire de la base ou du combiné, il est conseillé de noter la liste quelque part. C'est la seule façon pour vous de savoir quel numéro correspond à quelle touche.

Stockage de numéros avec les boutons mémoire du combiné

L'appareil doit être en mode attente.

- Chacune des touches 0 à 9 de votre clavier vous permet d'enregistrer un numéro de téléphone.
- Pressez MEM et l'écran affiche, « SAISIE NUM MEMO ».
- Utilisez ▼ jusqu'à ce que l'écran affiche « - - » en haut à droite et que la mention « FIN ENREG » s'affiche sur la 2e et la 3e lignes de l'écran.
- Pressez MEM pour ajouter un numéro. Si vous n'appuyez sur aucune touche pendant 30 secondes, le combiné revient en mode attente.
- Tapez le numéro à enregistrer (jusqu'à 16 chiffres).
- Pressez INTERCOM / ENTER. L'écran affiche « ENTER NAME ». Écrivez le nom (jusqu'à 12 caractères) à l'aide du clavier numérique. Notez qu'en plus des chiffres, il y a des lettres sur les touches 2 à 9 (par exemple, la touche 2 sert aussi pour A, B et C).
- Pour écrire le nom :
 - Pressez "2" une fois pour taper "A"
 - Pressez "2" deux fois pour taper "B"
 - Pressez "2" trois fois pour taper "C"

- Pressez "2" quatre fois pour taper "2"; ou
- Pressez DELETE / BACK pour effacer le dernier caractère par.
- Pressez INTERCOM / ENTER. L'écran affiche "SAISIE MEMO EMPLACEMENT".
- Tapez le chiffre de la position mémoire (entre 0 et 9) et pressez INTERCOM / ENTER pour confirmer.
- Si la position est vide (donc disponible), un bip long indique que vous avez bien stocké ce numéro et l'écran affiche "MEMO X" et "STORED".

Si la position n'est pas vide, l'écran affiche "REPLACER" et "MEMO X?", c'est-à-dire que vous devez décider de laisser le numéro existant à cet endroit ou le remplacer par le nouveau.

Appuyez sur ENTER pour appliquer la localisation avec la nouvelle l'entrée. Appuyez sur EXIT pour retourner à la mode Attente. Si vous faites une mauvaise touche ou si vous ne pressez aucune touche dans les 30 secondes, vous sortez de la séquence de mise en mémoire.

Stockage de numéros avec les boutons mémoire de la base

Les touches mémoire de la base sont libellées M1 - M4 et ER5 - ER7.

1. Pressez PROG.
2. Composez le numéro voulu (jusqu'à 16 chiffres)
3. Pressez PROG.
4. Pressez une des touches mémoire (M1 à M4 et ER5 à ER7). L'appareil émet un bip.

Mise en mémoire de numéros suivis d'un poste ou d'un choix de menu

NB : : Pour sauvegarder un numéro suivi d'un poste ou d'un choix de menu, faites comme pour un numéro normal puis pressez la touche Renum/Pause. Par exemple, si vous voulez enregistrer le numéro 714 555 2232 en indiquant le poste 323, tapez 714 555 2232 Pause 323.

Modification de numéros enregistrés sur la base

Si vous voulez remplacer un des numéros en mémoire, programmez simplement le nouveau pour qu'il prenne la place de l'ancien.

Par exemple, si le numéro que vous voulez remplacer est associé à la touche M3 de la base, enregistrez le nouveau numéro sur la touche M3.

Numérotation à partir de numéros enregistrés sur le combiné

Il y a deux façons de faire.

En partant de la touche PARLER ou HP

1. En mode attente, appuyez sur PARLER ou HP pour prendre la ligne.
2. Appuyez sur MEM et la touche mémoire voulue (0 à 9). Le numéro est composé automatiquement.

En partant de la touche MEM (l'appareil doit être en mode attente).

1. Appuyez sur la touche MEM et une touche mémoire pour voir le numéro enregistré à cette position.
2. Appuyez sur la touche mémoire désirée (0 à 9).
3. Appuyez sur PARLER ou HP. Le combiné prend la ligne et compose automatiquement le numéro.

Numérotation à partir de numéros enregistrés sur la base

1. Pressez la touche de mémoire où est stocké le numéro (M1, M2, M3, M4, ER5, ER6, ER7) : le numéro sera composé automatiquement.
2. Pour composer le numéro en gardant les mains libres grâce au haut-parleur : appuyez sur SPEAKER, attendez la tonalité et pressez la touche de mémoire.

Lecture des informations en mémoire sur le combiné

L'appareil doit être en mode attente.

1. Pressez MEM. L'écran affiche "SAISIE MEMO NUMBER".
2. Tapez le chiffre de la position (0 à 9), ou pressez ▲ ou ▼ pour passer d'une position à l'autre.
 - Si la position n'est pas vide, l'écran affiche son chiffre, le nom et le numéro de téléphone.
 - Si la position est vide, l'écran affiche son chiffre en haut à droite et la mention "ENREG VIDE".
3. Pressez ▲ ou ▼ pour passer d'une position à l'autre.
4. Si vous êtes à la dernière position et que vous appuyez sur ▼, l'écran affiche "- -" en haut à droite et la mention "FIN ENREGS".

Pressez FLASH / EXIT pour ramener le combiné au mode attente, ou bien appuyez sur MEM de nouveau pour ajouter une entrée en mémoire.

Si vous n'appuyez pas sur aucune touche pendant 30 secondes, le combiné revient en mode attente.

Suppression d'un numéro enregistré

L'appareil doit être en mode attente.

1. Pressez MEM. L'écran affiche « SAISIE NUM MEMO ».
2. Tapez le chiffre de la position mémoire (0 à 9) ou pressez ▲ ou ▼ pour passer d'une position à une autre. L'écran affiche le chiffre de la position en haut à droite, et le nom et le numéro de téléphone.
3. Pressez DELETE / BACK pour effacer cet enregistrement. L'écran affiche un message correspondant.
4. Pressez INTERCOM / ENTER pour confirmer. L'écran affiche à la fois "MEMO X" et "EFFACÉ" et l'appareil émet un son. Sinon, pressez n'importe quelle autre touche pour revenir au menu des mémoires.

Transfert d'appels du combiné à la base

Pendant que vous êtes en communication sur le combiné en ayant activé la touche PARLER ou la touche HP,

1. Appuyez sur la touche INTERCOM / ENTER du combiné pour mettre l'appel en attente et vous connecter à l'intercom de la base.
2. Appuyez sur le bouton HP sur la base pour transférer l'appel à la base.

NB : Vous pouvez récupérer la communication en appuyant sur PARLER ou HP.

Transfert d'appels de la base au combiné

La base doit être en mode haut-parleurs (la touche HP doit avoir été activée.).

1. Appuyez sur le bouton INTERCOM de

la base. Ceci met l'appel en attente et le témoin d'utilisation clignote. Le combiné sonne plusieurs fois et l'écran affiche « PAGING » (signal sonnerie) et « LIGNE EN ATTENTE ».

2. Appuyez sur INTERCOM / ENTER sur le combiné pour parler à la base. L'écran affiche « INTERCOM » et « LIGNE EN ATTENTE ».
3. Appuyez de nouveau sur la touche INTERCOM / ENTER du combiné pour rétablir le combiné au mode de communication standard.

Téléconférences à trois

Pour participer à une communication en cours sur le combiné :

1. Pressez la touche HP sur la base. L'écran du combiné passe de « PARLER » à « CONF ».
2. Pour déconnecter la base de la téléconférence, pressez le bouton HP de la base. Le combiné affiche de nouveau « PARLER ».

Pour participer à une communication en cours sur la base :

1. Pressez HP ou PARLER sur la base. L'écran du combiné passe de « LIGNE EN COURS D'UTILISATION » à « CONF ».
2. Pour déconnecter le combiné de la téléconférence, pressez PARLER ou HP. Le combiné affiche de nouveau « LIGNE EN COURS D'UTILISATION ».

Résolution de problèmes

Pour vous faciliter la tâche, nous avons indiqué quelques problèmes communs encourus avec des téléphones sans fil, et une liste de points à vérifier dans chaque cas.

Si le téléphone ne marche pas vérifiez que :

- la base est raccordée au SECTEUR.
- le combiné est CHARGÉ.
- le bouton TONE/PULSE est dans la bonne position.
- le CÂBLE TÉLÉPHONIQUE est raccordé au TÉLÉPHONE et au CONNECTEUR DE LA LIGNE TÉLÉPHONIQUE.

Si le téléphone n'a qu'une portée limitée vérifiez que :

- l'ANTENNE de la base est verticale.
- la base est à un endroit central de votre domicile.
- la base n'est pas située près des appareils.

S'il n'y a pas de tonalité, vérifiez que:-

- le connecteur téléphone est raccordé à la LIGNE TÉLÉPHONIQUE.
- la base est raccordée au SECTEUR.

Le signal en réception est filtré ou atténué, vérifiez que :

- la pile du COMBINÉ est complètement chargée.
- le COMBINÉ n'est pas trop loin de la base.
- l'ANTENNE de la BASE est verticale.

S'il y a des interférences à la réception, vérifiez les points suivants :

- Les interférences peuvent provenir d'appareils électriques chez vous, ou d'orages électriques Généralement, c'est un problème passager, et non un défaut de votre système.
- Passez à un autre canal de fréquence à l'aide de la touche CANAL du combiné.

S'il y a des parasites, vérifiez que:

- Vérifiez que l'ANTENNE n'est pas en contact avec un autre objet métallique.
- Levez ou changez la position de l'ANTENNE sur la base. Si, après avoir pressé PARLER, vous entendez trois bips mais aucune tonalité, vérifiez que :
- la base est raccordée au SECTEUR.

Conformité à la législation :

Informations importantes pour les clients

Exigences de la Commission Fédérale des Communications

Ce CLS45i est conforme à la Partie 68 de la réglementation FCC et aux exigences adoptées par l'ACTA. Une étiquette placée sous l'équipement, comportant, entre autres informations, un identifiant de produit au format US :AAAEQ##TXXXX. Ce numéro doit être fourni sur demande à la compagnie de téléphone.

La fiche et le connecteur utilisés pour raccorder cet équipement aux circuits des locaux et au réseau téléphonique doivent être conformes aux dispositions applicables de la Partie 68 de la réglementation FCC et aux exigences adoptées par l'ACTA. Un câble téléphonique conforme à USOC RJ11C et doté d'une fiche modulaire est fourni avec ce produit. Il est prévu pour être raccordé à un connecteur modulaire compatible et lui aussi conforme. Voir les détails dans les instructions d'installation.

Le comptage des IES permet de déterminer le nombre d'appareil qu'il est possible de raccorder à une ligne téléphonique. Un nombre excessif d'IES sur une ligne téléphonique peut avoir pour effet que les appareils ne sonnent pas lorsqu'un appel arrive. Dans la plupart des zones (mais pas toutes), la somme des IES ne

doit pas dépasser cinq (5,0). Pour vérifier le nombre d'appareils connectables à une ligne selon le total des IES, contactez la compagnie locale de téléphone. Pour les produits approuvés après le 23 juillet 2001, l'IES de ce produit fait partie de l'identifiant du produit, qui a le format US :AAAEQ##TXXXX. Les chiffres représentés par ## sont l'IES sans virgule décimale (par exemple, 03 représente un IES de 0,3). Pour les produits plus anciens, l'IES est indiqué séparément sur l'étiquette.

Si cet équipement téléphonique cause des problèmes sur le réseau téléphonique, la compagnie de téléphone vous avertira à l'avance qu'elle aura peut-être besoin d'interrompre temporairement le service. Cependant, s'il n'est pas possible de donner un avertissement à l'avance, la compagnie de téléphone avertira le client dès que possible. Par ailleurs, vous serez informé de votre droit de déposer une réclamation auprès du FCC si vous pensez que cela est nécessaire.

La compagnie de téléphone peut apporter à ses installations, son équipement, son fonctionnement ou ses procédures, des changements de nature à affecter le fonctionnement de l'équipement. Dans ce cas, la compagnie de téléphone vous avertira à l'avance de façon à vous permettre de faire les modifications nécessaires pour maintenir la continuité du service.

Si vous avez des problèmes concernant cet équipement téléphonique, sa réparation ou les informations de garantie, veuillez contacter Walker / Ameriphone au 1-800-426-3738. Si l'équipement cause des problèmes sur le réseau téléphonique, la compagnie de téléphone peut vous demander de déconnecter l'équipement jusqu'à ce que le problème soit résolu.

Cet équipement téléphonique n'est pas conçu pour être réparé et il ne contient pas de pièces réparables. L'ouverture de l'équipement ou toute tentative de réparation annulent la garantie. Pour l'entretien ou les réparations, appelez le 1-800-426-3738.

La connexion à des lignes partagées est sujette à des tarifs douaniers. Renseignez-vous auprès de la commission des installations publiques de l'État concerné, la commission du service public ou de la commission des entreprises.

Si votre résidence a une alarme spécialement câblée et connectée à la ligne téléphonique, assurez-vous que l'installation de cet équipement téléphonique ne désactive pas votre l'équipement d'alarme. Si vous avez des questions sur les interventions risquant de désactiver l'équipement d'alarme, consultez votre compagnie de téléphone ou un installateur qualifié.

Cet équipement téléphonique est compatible avec les appareils de correction auditive.

Nous recommandons l'installation d'un système anti-surtensions dans la prise secteur à laquelle cet équipement est connecté. Les compagnies de téléphone indiquent que les surtensions électrique (typiquement des transitoires d'allumage) ont un effet très destructeur sur les terminaux reliés au secteur.

Téléphones client-pos- sédés de carte de coin / Credit

En vue de l'acquittement des tarifs douaniers, la compagnie téléphonique doit être avertie avant la connexion. Dans certains États, la commission des installations publiques de l'État, la commission du service public ou la commission des entreprises doit donner son approbation préalablement à la connexion.

La partie 15 de FCC régit l'information

Cet appareil est conforme à la Partie 15 de la réglementation FCC. Son utilisation est soumise aux deux conditions suivantes :

(1) Cet appareil ne doit pas causer d'interférences nuisibles, et (2) cet appa-

Conformité à la législation :

Informations importantes pour les clients

reil doit tolérer toutes les interférences reçues, y compris les interférences pouvant entraîner un mauvais fonctionnement.

Votre équipement téléphonique a été testé et a été déterminé conforme aux limites d'un appareil numérique de classe B, aux termes de la Partie 15 de la réglementation FCC. Ces limites sont prévues pour fournir une protection raisonnable contre les interférences nuisibles dans les installations résidentielles.

Cet équipement génère, utilise et peut diffuser par radiation de l'énergie électromagnétique et, s'il n'est pas installé et utilisé selon les instructions, il peut causer des interférences nuisibles aux communications radio. Cependant, il n'est pas garanti qu'il ne se produira pas d'interférence dans une installation particulière; si cet équipement ne cause pas d'interférences nuisibles à la réception radio ou télévision (ce qui peut être déterminé en éteignant puis en rallumant l'équipement), vous êtes encouragé(e) à essayer de corriger l'interférence par un des moyens suivants :

1. Lorsque cela peut être fait en toute sécurité, réorientez l'antenne de télévision ou de radio.
2. Dans la mesure du possible, déplacez la télévision, la radio ou un autre récepteur par rapport à l'équipement téléphonique. (Ceci augmente la séparation entre l'équipement téléphonique et le récepteur.)
3. Connectez l'équipement téléphonique à une prise d'un circuit différent de celui auquel sont connectés la télévision, la radio, ou l'autre récepteur.
4. Demandez l'aide d'un vendeur ou d'un technicien radio/TV expérimenté.

PRÉCAUTION : Les changements ou modifications non approuvés expressément par le fabricant responsable de la conformité peuvent annuler le droit de l'utilisateur à utiliser cet équipement.

RESPONSABLE DE LA CONFORMITÉ DU PRODUIT :

Ameriphone® by Clarity,
A Division of Plantronics, Inc.
4289 Bonny Oaks Drive
Chattanooga, TN 37406
Téléphone : 800-426-3738

Spécifications techniques d'industrie Canada

Ce produit est conforme aux spécifications techniques applicables d'Industrie Canada.

Avant d'installer cet équipement, l'utilisateur doit s'assurer qu'il a le droit de se connecter aux installations de sa compagnie locale de télécommunications. L'équipement doit aussi être installé selon une méthode de connexion acceptable.

Dans certains cas, le câblage intérieur de la compagnie pour une ligne unique peut être étendu au moyen d'un dispositif de connexion certifié (rallonge téléphonique). Le client doit savoir que la conformité aux conditions ci-dessus n'empêche pas nécessairement la baisse de qualité du service dans certaines situations.

Les réparations de l'équipement agréé doivent être effectuées par une installation canadienne de réparation autorisée désignée par le fournisseur. Toutes les réparations ou altérations faites par l'utilisateur à cet équipement, ou le mauvais fonctionnement de l'équipement, peuvent justifier que compagnie télécommunications demande à l'utilisateur de déconnecter l'équipement.

L'utilisateur doit s'assurer, pour sa propre protection, que les mises à la masse électrique de l'alimentation, des lignes téléphoniques et des canalisations métalliques internes s'il y en a, sont interconnectées. Cette précaution peut être particulièrement importante dans les zones rurales.

PRÉCAUTION : L'utilisateur ne doit pas essayer de faire ces connexions lui-même, mais contacter selon le cas le service d'inspection électrique approprié ou un électricien.

L'IES (indice d'équivalence de la sonnerie ; Ring Equivalence Number : IES) est une indication du nombre maximum de postes pouvant être connectés à une interface téléphonique. L'arrêt sur interférence peut correspondre à une combinaison quelconque d'appareils, à la seule condition que la somme des IES de tous les appareils ne dépasse pas cinq.

(Le terme « IC : » précédant le nom de la certification/immatriculation signifie seulement la conformité aux spécifications techniques d'Industrie Canada.)

Garantie

Cette garantie concerne uniquement les produits Ameriphone achetés et utilisés aux États-Unis ou au Canada.

Ameriphone garantit le Téléphone sans fil amplifié CLS45i contre tout vice de fabrication ou défaut matériel sur une période d'un an à compter de la date d'achat.

Si votre téléphone Ameriphone est défectueux et qu'il est renvoyé dans les 30 jours suivant la date d'achat, votre revendeur Ameriphone le remplacera gratuitement.

S'il est renvoyé plus de 30 jours mais moins d'un an à compter de la date d'achat, nous le réparons ou nous le remplaçons sans frais. Pour la réparation de votre Téléphone sans fil amplifié CLS45i, nous pourrions utiliser des pièces neuves ou reconditionnées. Si nous choisissons de remplacer votre Téléphone sans fil amplifié CLS45i, nous pouvons le remplacer avec un produit neuf ou reconditionné de conception identique ou similaire. La réparation ou le remplacement seront garantis soit 90 jours, soit le temps restant de la période originale de garantie, la plus longue période s'appliquant.

Les garanties implicites dont celles portant sur l'adéquation à un usage particulier et la marchandise (une garantie non écrite que le produit convient pour un usage ordinaire) sont limitées à un an à compter de la date d'achat. Nous ne rembourserons pas la perte de temps, les dérangements, la perte de l'usage de votre Téléphone amplifié CLS45i, les dommages matériels causés par votre Téléphone amplifié CLS45i ou son non-fonctionnement, ni n'importe quels autres dommages indirects ou consécutifs.

Certains États ne permettant pas de limitations de la durée d'une garantie implicite ou l'exclusion des dommages indirects ou consécutifs, il se peut que les exclusions ou limitations ci-dessus ne s'appliquent pas à vous.

Pour obtenir le service de garantie pour votre Téléphone sans fil amplifié CLS45i, vous devez fournir la preuve de la date d'achat.

Dans les 30 jours suivant la date d'achat, renvoyez votre Téléphone sans fil amplifié CLS45i à l'endroit où vous l'avez acheté pour en obtenir le remplacement immédiat. Après 30 jours, appelez Clarity au (voix) 800-426-3738 ou (AST/TTY) 800-772-2889 pour savoir quel est le centre de réparation agréé le plus proche de chez vous. Vous devez prépayer tous les frais d'envoi. Nous vous suggérons de conserver l'emballage d'origine au cas où vous auriez à renvoyer le Téléphone sans fil amplifié CLS45i.

Dans votre envoi pour une réparation sous garantie, incluez votre nom, votre adresse, numéro de téléphone, preuve de date d'achat, et une description du problème. Après la réparation du produit, nous (ou le centre de réparation) vous le renverrons sans frais aux États-Unis ou au Canada. Si vous êtes un résident du Canada, veuillez appeler Clarity au (voix) 800-426-3738 ou (AST/TTY) 800-772-2889 pour connaître la procédure. Cette garantie ne couvre pas les défauts résultant d'accidents, les dommages survenus pendant l'envoi à notre site de réparation, les altérations, les réparations non autorisées, l'utilisation non conforme au mode d'emploi, l'utilisation abusive, l'utilisation hors des États-Unis ou du Canada, ni les dommages causés par des incendies, des inondations ou des catastrophes naturelles. Nous ne garantissons pas non plus la compatibilité du produit avec aucun équipement téléphonique, lignes partagées, systèmes de téléphones à touche ou systèmes plus sophistiqués de commutation en particulier. Si votre Téléphone sans fil amplifié CLS45i n'est pas couvert par cette garantie, appelez-nous au (voix) 800-426-3738 ou (AST/TTY) 800-772-2889 pour nous demander conseil sur la façon dont pourrions réparer votre Téléphone sans fil amplifié CLS45i et pour obtenir d'autres renseignements. La réparation sera garantie 90 jours.

Spécifications

CLS45i : Téléphone amplifié sans fil à deux haut-parleurs

Fonctionne sur les lignes téléphoniques analogiques

L'amplification

signal reçu jusqu'à 40 dB

Adaptateur électrique

Entrée 120 V alternatif (AC) 60 Hz 8 W

Sortie 9 V continu (DC) 300 mA

Connecteurs

Combiné

1 - 3,5mm entrée audio

1 - 3,5mm distance

1 - 2,5mm casque

Base

1 - 3,5mm speaker output

Piles

Combiné

principales

Nombre requis 3 éléments (1 module batteries)

Taille 2/3 AA

Type 3.6V 750mAh NiMH

Base

de sauvegarde

4

AA

Alcaline

Les fonctions et spécifications peuvent changer sans préavis.

CLS-45i

Telefono Inalambrico Amplificado Dual con Speaker
con Identificador de Llamadas e Identificador de
Llamadas en Espera



Instrucciones de Operación

Instrucciones Importantes de Seguridad

Al usar su equipo telefónico, siga cuidadosamente las instrucciones básicas de seguridad que se enumeran a continuación a fin de evitar peligro de incendio, de descargas eléctricas o de daños a las personas:

1. Asegúrese de leer y comprender todas las instrucciones.
2. Preste atención a las advertencias e instrucciones que figuran en el teléfono.
3. No use el teléfono cerca de la bañera, el lavamanos, el lavaplatos, el lavadero, un sótano húmedo, cerca de la piscina, ni en ningún lugar donde haya agua.
4. Evite usar el teléfono (con excepción de los de tipo inalámbrico) durante una tormenta. Existe la remota posibilidad de recibir una descarga eléctrica a causa de un rayo.
5. No use el teléfono para informar de un escape de gas en un lugar próximo al escape.
6. Desconecte su teléfono antes de limpiarlo. No utilice limpiadores líquidos o en aerosol. Limpie el aparato con un paño húmedo.
7. Ubique el teléfono en una superficie estable. Las caídas pueden causar serios daños al aparato.
8. No debe cubrir las ranuras de ventilación ni orificios de su teléfono. Nunca coloque el teléfono cerca de un radiador o salida de calefacción. Si ubica el aparato en una instalación empotrada, asegúrese de que cuente con la debida ventilación.
9. Este teléfono debe funcionar utilizando el voltaje especificado en la base del aparato o en el manual del usuario. Si no está seguro del voltaje con que cuenta la red eléctrica en su casa, consulte con el vendedor o con la empresa de servicios eléctricos.
10. No coloque ningún objeto sobre el cable de alimentación. Al instalar el teléfono asegúrese de que nadie pisará el cable o tropezará con él.
11. No sobrecargue los tomacorrientes o las conexiones de los prolongadores para evitar riesgos de incendio o de descarga eléctrica.
12. No introduzca objetos a través de las ranuras del aparato. Ya que podrían tocar puntos de alta tensión o provocar un cortocircuito con riesgo de incendio o de descarga eléctrica. No derrame líquidos de ninguna clase sobre el teléfono.
13. Para evitar el riesgo de una descarga eléctrica, no intente desarmar el aparato. Si abre o quita las tapas puede exponerse a una descarga de tensión peligrosa, o a otro tipo de riesgos. Si se cometen errores al rearmar el aparato, el usuario puede recibir una descarga eléctrica al volver a usar el teléfono.
14. Desconecte el teléfono y solicite servicio técnico si se presenta alguno de los siguientes problemas:
 - A. El cable de alimentación o el enchufe está quemado o dañado.

- B. Se ha derramado algún líquido sobre el aparato.
 - C. El teléfono ha quedado expuesto a la lluvia o se mojó por alguna otra causa.
 - D. El teléfono no funciona normalmente al seguir las instrucciones de uso. En tal caso, ajuste únicamente los controles que se incluyen en las instrucciones de uso. Si se realizan ajustes indebidos, el técnico especializado necesitará más tiempo para lograr que el teléfono vuelva a operar normalmente.
 - E. El teléfono se ha caído o ha sido dañado por fuera.
 - F. El teléfono presenta grandes cambios en su rendimiento.
15. Nunca instale cableado telefónico durante una tormenta eléctrica.
 16. Nunca instale fichas de conexión en un lugar húmedo a menos que la ficha esté específicamente diseñada para lugares húmedos.
 17. No toque cables de teléfono o terminales que no estén aislados sin antes desconectar la línea telefónica de la interfaz de red.
 18. Debe ser muy cuidadoso cuando instale o modifique líneas telefónicas.
 19. Use únicamente los cables de alimentación y las baterías recomendadas en este manual. No arroje las baterías al fuego porque pueden explotar. Averigüe en su zona cuáles son las normas vigentes para desechar este tipo de producto.

Conserve Estas Instrucciones

RECOMENDACIONES DE SEGURIDAD ADICIONALES PARA USUARIOS DE CANADÁ

Se han incluido los siguientes puntos como parte de los Requerimientos CS-03. La conexión estándar para el equipo es CA11A. Este producto cumple con las especificaciones técnicas de aplicación de Industria Canadá.

NOTA: La etiqueta del Departamento de Comunicaciones de Canadá permite reconocer que se trata de un equipo certificado.

Esta certificación asegura que el equipo cumple con ciertos requisitos de protección operativa y de seguridad de la red de telecomunicaciones. El Departamento no garantiza que el equipo funcionará a entera satisfacción del usuario. Antes de instalar este equipo el usuario debe asegurarse de que esté autorizado a conectarse a la red de la compañía de telecomunicaciones de su zona. Asimismo, se debe instalar el equipo usando un método de conexión aceptado. En algunos casos, la instalación interna que hace la compañía en el caso de un servicio individual de línea única se puede extender mediante la instalación de un conector certificado (una extensión del cable telefónico). El cliente debe saber que el cumplimiento

Instrucciones Importantes de Seguridad

de los requisitos arriba mencionados no impide el deterioro del servicio en ciertas circunstancias. Para reparar un equipo certificado se debe recurrir a un servicio técnico autorizado y recomendado en Canadá por el proveedor. Cualquier reparación o modificación del equipo por parte del usuario puede dar lugar a que la compañía de telecomunicaciones solicite al usuario que desconecte el equipo.

Por su propia protección, los usuarios deben asegurarse de que las conexiones terrestres del servicio de electricidad, las líneas telefónicas y la cañería de metal de la red sanitaria interna, si la hubiere, estén todas conectadas. Esta precaución es particularmente importante en zonas rurales.

PRECAUCIÓN: Los usuarios no deben intentar realizar estas conexiones por sí mismos. Deben consultar a las autoridades encargadas de inspeccionar la instalación eléctrica o a un electricista, según corresponda. El Número de Equivalencia de Dispositivo de Llamadas (Ringer Equivalent Number) indica el número máximo de terminales que está permitido conectar a una interfaz de teléfono. La terminación en una interfaz puede consistir en cualquier combinación de dispositivos sujeta al requisito de que el Número de Equivalencia de Dispositivo de Llamadas de todos los dispositivos no sea mayor que cinco.

Conserve Estas Instrucciones

Instrucciones de Seguridad sobre las Baterías

Si se reemplaza una batería con otra del tipo incorrecto, ésta puede explotar. Deseche la batería usada siguiendo las instrucciones.

Solamente use el paquete de baterías aprobado para el microteléfono de su teléfono autónomo:

3.6V 750mAh 2/3 AA NiMH (Nickel Metal Hydride) el paquete de baterías GP75AAA3BMJZ GPI International Ltd.

No se deshaga de las baterías echándolas al fuego. Pueden explotar. Compruebe con los códigos locales acerca de posibles instrucciones especiales para desecharlas.

No abra o motile la batería. El electrolito interno es corrosivo y puede provocar lesiones en sus ojos o en la piel. Puede ser venenoso si se ingiere.

Tener cuidado con la manipulación de baterías con el fin de no provocar un corto circuito en las baterías y materiales conductores tales como anillos, brazaletes y llaves. La batería o material conductor puede recalentarse y provocar quemaduras.

Cargar las baterías suministradas o indentificadas para uso con este producto solamente de acuerdo con las instrucciones y limitaciones especificadas en este manual.

Observar la orientación de polaridad apropiada entre el paquete de baterías y el cargador de baterías.

Contenido

Instrucciones Importantes de

Seguridad _____ ii

Recomendaciones de Seguridad Adicionales para Usuarios de Canadá.	iii
Instrucciones de Seguridad sobre las Baterías.	iv

Para su Información _____ 2

Garantía	2
Factura de Compra	2
Ayuda de Ameriphone	2

Acerca de su Nuevo CLS45i _____ 3

Funciones _____ 4

Instalación y Uso de su CLS45i _____ 11

Instalación de las Baterías	12
Conexión de su Teléfono.	12
Ajuste del Identificador de Llamadas	14
Haciendo Llamadas.	16
Amplificación	18
Intercomunicador.	18

Identificador de Llamadas _____ 19

Revisando las Memorias del Auricular.	19
Borrando Toda la Información del Identificador de Llamadas	20
Guardando Información del Identificador de Llamadas en la Memoria	20

Recibiendo Llamadas en Espera con Identificación de Llamadas	21
--	----

Dial de la Velocidad y Funciones de la Memoria _____ 22

Marcación Utilizando la Memoria – Auricular 22	
Marcación Utilizando la Memoria – Base .	23
Revisando las Memorias del Auricular.	23
Borrando un Número Almacenado	24
Transfiriendo Llamadas desde el Auricular a la Base.	24
Transfiriendo Llamadas desde la Base al Auricular.	24
Conferencia de la Tres-Manera el Llamar .	24

Solución de Problemas _____ 25

Conformidad con las Normas vigentes _____ 26

Requisitos de la Comisión Federal de Comunicaciones (FCC)	26
Cumplimiento con las Normas: Información Importante para los Consumidores	26

Garantía _____ 30

Especificaciones _____ 31

Para su Información

Gracias por elegir el Teléfono Inalámbrico Amplificado Dual con Speakers CLS45i de Ameriphone. Estas Instrucciones de Uso y la Guía de Referencia Rápida asociada le proporcionan la información que necesita para usar su CLS45i en forma segura y eficaz. Lea este manual detenidamente antes de usar su teléfono y manténgalo cerca del teléfono como referencia de fácil acceso.

Garantía

Su teléfono está diseñado para brindarle años de servicio de calidad. Sin embargo, en caso de que el teléfono no funcione correctamente y el Cuadro de Solución de Problemas de la página no resuelva el problema, siga el Procedimiento de Garantía de la página.

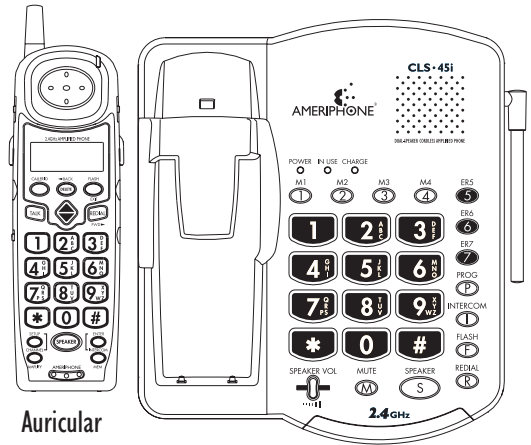
Factura de Compra

Asegúrese de guardar su recibo de compra como comprobante de la fecha de compra en caso de necesitar servicio de garantía.

Ayuda de Ameriphone

Si necesita ayuda para usar su CLS45i, llame a nuestro Departamento de Atención al Cliente al 800-426-3738.

Por favor, asegúrese de que su caja del CLS45i incluya los elementos mostrados en la siguiente figura.

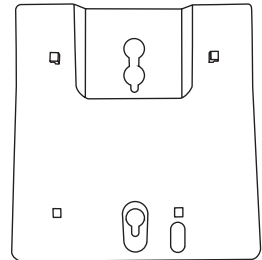


Auricular

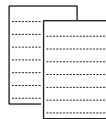
Unidad Base



Fuente de Alimentación



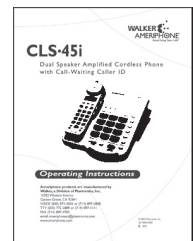
Soporte de Montaje



Directorio de Números Telefónicos



Cables Telefónicos



Las baterías

Instrucciones

Control del Contenido

Acerca de su Nuevo CLS45i

El CLS45i es el producto principal de la línea de Ameriphone®. Este producto ha sido diseñado especialmente para ofrecerle una cantidad de funciones sin precedentes para que disfrute de su conveniencia y utilidad durante años. Este producto está equipado con la más avanzada tecnología y diseñado para facilitar su uso, especialmente para personas con dificultades auditivas en el teléfono.

El CLS45i es un Teléfono Inalámbrico Amplificado Dual con Speaker que cuenta con tecnología de 2.4 GHz para mayor potencia y rango de operación extendido.

Su nuevo teléfono está diseñado para alcanzar el máximo rango posible transmitiendo y recibiendo de acuerdo a las más altas especificaciones presentadas a consideración por la FCC (Comisión Federal de Comunicaciones de EE.UU. por sus siglas en inglés). Hemos clasificado este teléfono para operar a una máxima distancia con la condición de que el rango depende del ambiente en el que el teléfono es usado. Mientras usa el teléfono usted puede experimentar interferencia de otros dispositivos de comunicación. Si usa el teléfono cerca de un horno de microondas que está siendo utilizado, puede escucharse ruido desde el receptor o la bocina. Aléjese del horno de microondas y acérquese a la base de la unidad. Durante una llamada, mientras empieza a mover su teléfono demasiado lejos de la base de su unidad el ruido aumenta. Si pasa los límites del rango de la base de la unidad, su llamada será terminada.

Éste es literalmente dos teléfonos en uno... dos teléfonos con speaker. Este aparato tiene speakers tanto en la base como en el auricular. Esto quiere decir que cuando el teléfono se encuentre ya sea en o fuera de la base, usted puede usar la base como speaker. Y también puede usar el auricular independientemente como otro teléfono con speaker en otro lugar de su casa. También puede usarse como un intercomunicador entre distintas habitaciones.

El CLS45i tiene un poderoso amplificador de 40dB con controles de tono separados para que pueda ajustar el sonido de entrada de la forma más apropiada para su audición. Además, las brillantes luces rojas indicadoras de llamadas, y el sonido súper-audible de la base y del auricular asegurarán que usted siempre sepa cuándo está sonando su teléfono.

El CLS45i tiene Identificador de Llamadas e Identificador de Llamadas en Espera. Usted tendrá que solicitar el servicio de Identificador de Llamadas a su compañía telefónica para poder usar estas funciones. La pantalla de cristal líquido (LCD) del auricular le permite ver fácilmente la información del número de la persona que llama. También le guiará a través de los simples pasos a seguir para configurar las otras funciones del CLS45i.

En la base encontrará siete (7) botones de memoria para discado rápido, incluyendo tres botones rojos diseñados especialmente para números de emergencia. Si lo desea, puede programar otros números en esas memorias, pero los números de emergencia siempre serán más fáciles de acceder si los graba en los botones rojos de memoria (ER5, ER6 y ER7).

Nota: El CLS45i emplea un sofisticado conjunto de circuitos para minimizar la retroalimentación acústica (chillidos) mientras está colocado contra su oído. Sin embargo usted puede experimentar alguna retroalimentación mientras vuelve a poner el teléfono en la base. Para mitigar esto apague el teléfono o apague el amplificador antes de volver a poner el teléfono en la base.

El auricular puede almacenar números llamados frecuentemente en diez (10) botones de discado rápido.

El CLS45i tiene muchas otras funciones y beneficios que se detallan en las páginas siguientes.

Esperamos que disfrute su nuevo CLS45i y que las nuevas funciones e independencia que le brinda sean de su satisfacción.

Le agradecemos sinceramente la compra de productos Ameriphone. Si le podemos ayudar en algo, por favor llame a nuestro departamento de Atención al Cliente al 800-426-3738. También nos gustaría saber su opinión acerca del producto.

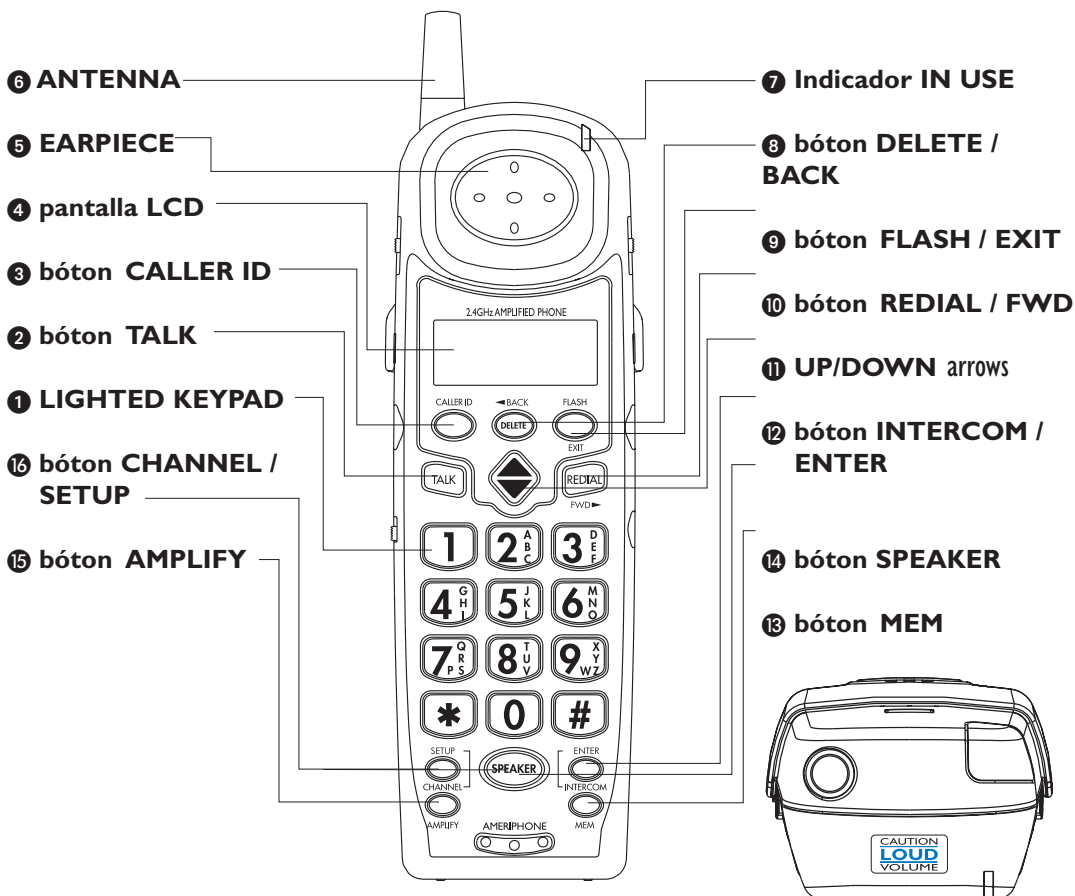
Funciones

El CLS45i tiene una extensa variedad de funciones. Algunas de ellas son:

- Amplificación de hasta 40dB
- Comunicación con Manos Libres
- Identificador de Llamada (si está suscrito)
- Intercomunicador
- Discado Rápido
- Parlantes para Conferencia tripartita y llamada en espera (si está suscrito)
- Portabilidad dentro de un área determinada.

Para mayor conveniencia y facilidad de uso, el auricular cuenta con un relieve táctil en el botón #5 del teclado para discar, y símbolos táctiles en los botones de memoria y funciones de la unidad base.

Como la mayoría de las funciones están disponibles tanto en el auricular como en la base, detallaremos primero las funciones del auricular.



Auricular

La parte frontal del auricular tiene los siguientes controles e indicadores.

- 1 **Teclado.** El teclado el botón se ilumina
- 2 **botón TALK.** Presiónelo para encender o apagar el auricular. Puede utilizarse para responder, efectuar o terminar una llamada.
- 3 **botón CALLER ID.** Presiónelo para marcar la posición del Identificador de Llamada seleccionada por el botón arriba/abajo (up/down).
- 4 **pantalla LCD.** Muestra la Identificación de Llamada e información del teléfono. Almacena hasta 50 números de teléfono y puede seleccionar hasta tres idiomas.
- 5 **Bocina.**
- 6 **Antena.**
- 7 **indicador IN USE.** Se enciende cuando se está usando el teléfono. También parpadea cuando existen nuevas llamadas que no se hayan visto.
- 8 **botón DELETE / BACK.** Este botón se usa para:
 - a. Borrar registros del Identificador de Llamada
 - b. Retroceder y borrar caracteres al ingresar un nuevo nombre y número a la memoria.
- 9 **botón FLASH / EXIT.** Presiónelo para acceder a servicios especiales de la compañía telefónica como Llamada en Espera (si está disponible).
- 10 **botón REDIAL / FWD.** Este botón se usa para:
 - a. *Re-discar el último número llamado:* Presiónelo para llamar nuevamente al último número discado, hasta 32 dígitos. Éste debe ser el primer botón que se presione la próxima vez que active el teléfono, ya sea levantándolo de su base o, si no estaba en la base, presionando TALK.
 - b. *Insertar pausas en los números:* Cuando programe números en la memoria, presione REDIAL / FWD para insertar pausas cuando sea necesario, como en el caso de ingresar una secuencia de números (tarjeta de llamada o tarjeta de crédito). También se le puede solicitar para su identificación o validación al efectuar transacciones telefónicas, con el banco u otro comerciante. En estos casos se le requerirá que proporcione datos como los últimos 4 dígitos de su número de seguro social, fecha de nacimiento, número de teléfono, código postal, etc. en cada paso sucesivo. También se utilizan pausas al programar un número seguido por una extensión o una selección de un menú.
 - c. *Recorrer el cursor hasta la posición del próximo carácter:* Al almacenar nombres en la memoria, (como "BEN"), una vez seleccionada la "B" con el botón "2", presione REDIAL / FWD para mover el cursor a la derecha donde ingresará la "e" con el botón "3". Continúe presionando REDIAL / FWD para recorrer el cursor hasta que todas las letras del nombre hayan sido seleccionadas. Presione PROG para grabar el número.
- 11 **flechas UP / DOWN.** Presiónelos para desplazarse a través de los registros del Indicador de Llamada.
- 12 **botón INTERCOM.** Presione este botón para activar la función de intercomunicador.
- 13 **botón MEM.** Este botón se utiliza para almacenar números telefónicos frecuentes o de emergencia en posiciones de memoria.

- 14 **bóton SPEAKER.** Al presionar este botón se prende y apaga la función de Speaker. También puede utilizarse para atender llamadas entrantes. Para mejores resultados, luego de activar esta función con la unidad fuera de su base, apoye la unidad mirando hacia abajo o de costado para no bloquear el parlante.
- 15 **bóton AMPLIFY.** Este botón enciende y apaga la amplificación adicional. Presiónelo para activar el amplificador del auricular para obtener el máximo volumen. Cuando está activado, el botón se ilumina y la amplificación máxima es de 40dB. Cuando está desactivado, la iluminación se apaga y la amplificación máxima es de 18dB.
- 16 **bóton CHANNEL / SETUP.** Este botón se utiliza para cambiar de canal cuando existe interferencia. Existen 40 canales. Si existe interferencia en la línea, presione este botón para seleccionar otro canal que podría mejorar la calidad de recepción. Al presionar CHANNEL / SETUP por tres (3) segundos se iniciará la modalidad de configuración. Esto se indicará en la pantalla LCD.

Controles y Funciones del Auricular

La unidad posee controles en ambos costados, que se detallan a continuación.

Lado izquierdo:

- 1 **RINGER OFF/ON.** Este interruptor activa y desactiva el timbre de llamada de la unidad.
- 2 **Conector REMOTE.** Este conector de 3.5 mm se utiliza con dispositivos remotos opcionales como el ER Pillow Switch o Air Switch de Ameriphone.

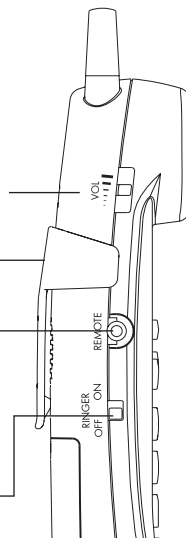
- 3 **Control deslizante VOL.** Cuando el Amplificador de la unidad está desactivado, este control de volumen provee una amplificación de 0 a 18dB. Cuando el Amplificador está activado, este control le permite ajustar la amplificación a 40dB.

Lado derecho:

- 4 **TONE LO HI.** Ajusta el tono para permitirle una mejor recepción de voz en el auricular. El control TONE proporciona claridad, especialmente con palabras con sonido similar. Solo funciona cuando el Amplificador está activado.
- 5 **Conector AUDIO.** Conector de 3.5 mm para enchufar otros dispositivos de ayuda auditiva como audífonos, implante coclear o bocinas de una PC.
- 6 **Conector de AURICULARES.** Conector de 2.5 mm para usar con auriculares. Si conecta un juego de audífonos (no incluido) a su auricular, podrá comunicarse con manos libres.

Auricular Lado izquierdo

- 3 **Control deslizante VOL**
- 7 **SOPORTE PARA CINTURÓN**
- 2 **Conector REMOTE**
- 1 **RINGER ON/OFF**



Al enchufar los audífonos en el conector 'HEADSET', el micrófono y el speaker del auricular se desconectan automáticamente. Desenchufe los audífonos para volver a utilizar normalmente el auricular.

Los audífonos se pueden conseguir en la mayoría de los negocios de venta al público y en distribuidores de productos para discapacitados que venden equipos telefónicos. El conector para audífonos es compatible únicamente con audífonos que tengan un enchufe de 2.5mm

Otras funciones del auricular:

- 7 **SOPORTE PARA CINTURÓN.** Su CLS45i tiene un soporte desmontable para cinturón en la parte trasera.
- 8 **Indicador Luminoso de Llamada.** Esta luz roja, ubicada en el extremo superior derecho de la unidad, parpadea cuando el teléfono está sonando.

Auricular Lado derecho

- 9 **indicador New Call / In Use**
- 8 **LUMINOSO DE LLAMADA**
- 4 **TONE HI LO**
- 5 **conector AUDIO**
- 6 **conector HEADSET**

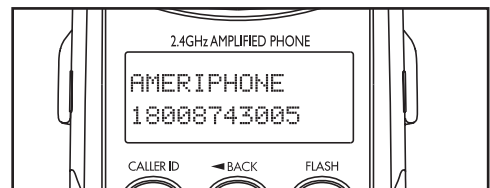


- 9 **Indicador "NEW CALL / IN USE"** del extremo superior derecho de la bocina, el cual brilla intermitentemente para indicar que tiene una nueva llamada o que el teléfono está en uso.

Indicadores de la Pantalla del Identificador de Llamadas.

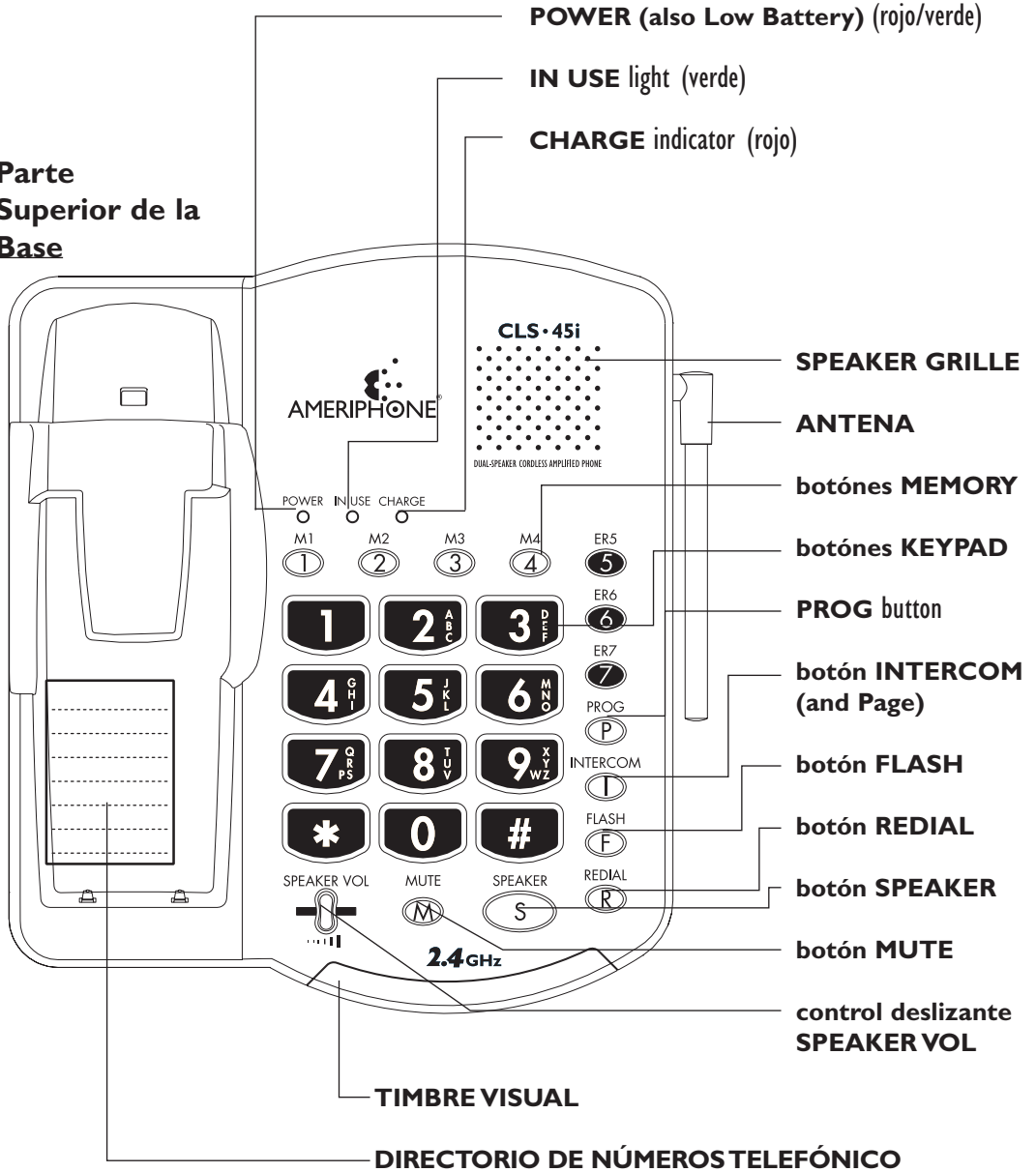
Cuando recibe una llamada, la pantalla LCD le proporciona una serie de indicadores, los que se explican a continuación.

- **Contador de Llamadas/Llamadas Nuevas** Esta línea le muestra la cantidad de llamadas y llamadas nuevas en estado de espera. Si tiene una llamada que no ha visto todavía, la pantalla indica "New Call" y la luz de "New Call/ in Use" se enciende intermitentemente.
- **Indicador de Llamada Repetida** Este indicador se enciende si el número de teléfono mostrado ha llamado más de una vez.
- **Reloj Muestra** la hora actual en formato de 12 horas (am/pm) o la hora de la llamada del registro del Identificador de Llamadas.
- **Fecha Muestra** la fecha en formato mm/dd o la fecha de la llamada del registro del Identificador de Llamadas.
- **Línea Numérica** de 12 dígitos Muestra el número de teléfono de la persona que llama o los números que usted marcó.



Funciones

Parte Superior de la Base



Funciones y Controles de la Parte Superior de la Base.

POWER. (también Batería Baja). Esta es la luz ubicada en el extremo izquierdo de las tres luces que se encuentran arriba del teclado. Esta luz le indica el estado de la batería de respaldo y de la fuente de alimentación. Vea el cuadro de la página 12.

IN USE. Esta luz verde se enciende cuando se está usando el teléfono. Cuando transfiere una llamada, esta luz cambia de encendida a intermitente.

CHARGE. Esta luz se enciende cuando el auricular se encuentra en la base.

TECLADO. El teclado cuenta con iluminación interna. Éste se ilumina al marcar un número.

botones de MEMORIA. M1 a M4 y ER5 a ER7. M1 a M4 son para número llamados frecuentemente y ER5 a ER7 son para números de emergencia. Cada uno almacena un número de teléfono de hasta 16 dígitos. Éstos son botones de discado rápido. Ver páginas 21-22.

botón PROG. Presiónelo para grabar números llamados frecuentemente o de emergencia en la memoria. Ver página 20.

botón INTERCOM (y Page). Presiónelo para llamar al auricular, transferir una llamada o para conversar entre la base y el auricular. También puede usarse para hacer una conferencia entre el auricular, la base y otra persona en la línea telefónica.

botón FLASH. Presiónelo para el acceso a servicios especiales de la compañía telefónica como Llamada en Espera y otros servicios que requieren suscripción.

botón REDIAL. Presiónelo para volver a llamar al último número marcado y le permite insertar una extensión u opción de un menú al almacenar números. Puede

programar números de hasta 32 dígitos. Ver información adicional en página 5.

botón SPEAKER. Este botón se enciende cuando el parlante está activado. Presiónelo para comunicaciones con speaker con volumen ajustable. NOTE: En modo Speaker, solo puede hablar una persona a la vez. Por lo tanto, es recomendable que usted espere hasta que la otra persona termine de hablar para empezar a hablar. De lo contrario, partes de la conversación se pueden perder.

botón MUTE. Presiónelo para activar y desactivar el micrófono de la unidad base. Le brinda mayor privacidad.

control deslizante SPEAKER VOL.

Para ajustar el volumen Speaker de la base.

ANTENA. Mantenga la antena vertical para una mejor recepción y para reducir la interferencia.

TIMBRE VISUAL Parpadea cuando el teléfono está sonando.

DIRECTORIO DE NÚMEROS

TELEFÓN-ICO. Se incluye una funda plástica autoadhesiva y varias tarjetas de la lista de números telefónicos en la cual puede anotar los números de teléfono almacenados en los botones de memoria y otros números si lo desea. Simplemente quite el papel protector y adhiérala a la base en la parte inferior del soporte del auricular, como se indica. Usted puede retirar las tarjetas de la lista en cualquier momento para hacer cambios, deslizándolas fuera de la funda plástica y colocándolas nuevamente en ella. NOTA: para realizar los cambios más fácilmente y extender la vida útil de las tarjetas, escriba con un lápiz. Se incluyen tarjetas adicionales.

Controles del Lado Derecho

AMPLIFIER OFF/ON. Este interruptor determina el estado inicial del amplificador en el auricular. El estado inicial corresponde a la posición del interruptor. Si se encuentra en ON, el auricular efectúa las llamadas en modo amplificado. Si se encuentra en OFF, el auricular efectúa las llamadas en modo no-amplificado. El botón de Amplificación del auricular cambia los niveles de amplificación, sin importar la posición del interruptor. **PRECAUCIÓN: cuando este interruptor esté puesto en ON el volumen será más alto que el normal cuando el teléfono se encienda. Para proteger a las personas con audición normal sugerimos poner el interruptor en OFF. Esto mantendrá el volumen en un nivel normal hasta que se presione el botón AMPLIFY sea presionado.**

T P (Tono/Pulso). Ajuste el interruptor según el tipo de servicio telefónico que

tenga; "T" (tonos) o "P" (pulsos) para discado rotativo.

RING TONE. Ajusta el tono del timbre de llamada a "L" (bajo) o "H" (alto).

RINGER. Ajusta el volumen del timbre de llamada a "OFF" (apagado), "L" (bajo), "M" (medio) o "H" (alto).

EXT SPK OUT. (Audio) conector Este conector de 3.5 mm es compatible con parlantes de PC y dispositivos de ayuda auditiva como un audífono o implante coclear. Ver página 7 (auricular).

Parte Posterior de la Base

Conector de ALIMENTACIÓN DE AC

Este conector es para la fuente de alimentación AC.

Conector de LÍNEA TELEFÓNICA.

Situado al lado del conector de la fuente de alimentación DC, este conector permite la conexión a la línea telefónica.

T P (Tono/Pulso)

RINGER
(Control de Volumen)

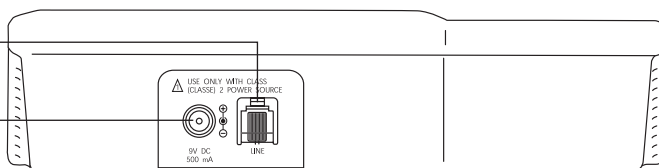
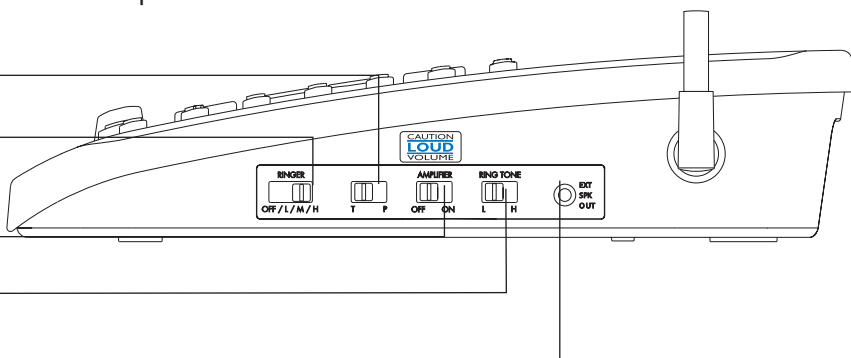
AMPLIFIER ON OFF

RING TONE

EXT SPK OUT
(Audio)

Conector de LÍNEA
TELEFÓNICA

Conector de
ALIMENTACIÓN
DE AC



Instalación

Existen seis (6) pasos en el ajuste de su CLS45i.

1. Instale la batería (incluida) dentro del auricular.
2. (Opcional) Instale cuatro pilas alcalinas AA (de respaldo para el caso de que se interrumpa el servicio de energía) en la base.
3. Decida si desea instalar el teléfono sobre una mesa o montarlo en la pared (siga las indicaciones de Montaje en Pared)
4. Conecte el cable telefónico en la unidad base y en el enchufe telefónico de la pared.
5. Conecte la fuente de alimentación de AC un tomacorriente.
6. Coloque el auricular en su base mirando hacia arriba, y déjelo cargar toda la noche o durante 10-14 horas. Cuando su teléfono esté instalado y el auricular cargado, podrá programar hasta 17 números telefónicos en los botones de memoria, y configurar el resto de las funciones.

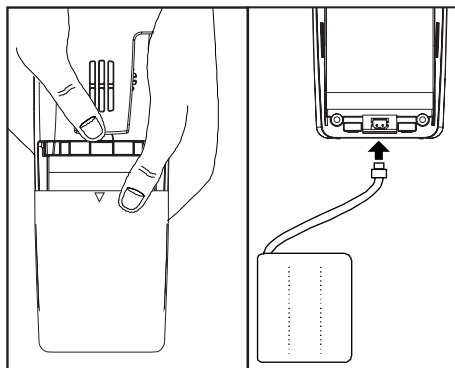
Instalando, Reemplazando Y Cargando Las Baterías Del Auricular

Nota: las baterías deben cargarse completamente antes de utilizar el CLS-45i.

Quite la cubierta de la batería en la parte de atrás del teléfono apretando el “botón” del compartimiento de la batería y deslizando la cubierta hacia la parte de abajo del teléfono.

1. Para instalar el paquete de baterías, conecte el cordón del paquete de baterías en la terminal en el compartimiento de baterías. Vuelva a colocar la cubierta deslizando en su lugar hasta que haga “clic”.

2. Para reemplazar el paquete de baterías, quite la cubierta de la batería como se describe arriba y conecte el cordón del paquete de baterías en la terminal en el compartimiento de baterías. Reemplace la cubierta de las baterías deslizando en su lugar hasta que haga “clic”.



Indicador de Nivel de la Batería del Auricular

Cuando el auricular no se está utilizando y la batería está baja, la pantalla LCD muestra el símbolo de la batería “vacía”. El icono de la batería se mostrará “lleno” si hay un nivel de carga adecuado en la batería. A medida que se se use el teléfono la batería se descargará. Cuando la batería del teléfono esté baja la pantalla mostrará el icono de la batería en un estado “vacío”, la unidad sonará un “bip” cada treinta (30) segundos, y la luz IN USE/NEW CALL parpadeará. Si usted está usando el teléfono, éste se apagará después de aproximadamente dos (2) minutos. Coloque el teléfono de nuevo en la base para recargar la batería.

Para maximizar la carga de la batería, es recomendable colocar el auricular en la base cuando no se use y todas las noches.

Instalación y Uso de su CLS45i

Estando fuera de la base, la carga de la batería dura normalmente varios días, dependiendo del uso.

Reemplazo de Baterías

Quite la batería vieja.

Conecte el cable de la batería en el auricular y coloque la batería en el compartimiento.

Deslice la cubierta de la batería hasta que encaje en su lugar. Cargue durante 10-14 horas antes de usar por primera vez.

Maximización de la Vida de la Batería

Para maximizar la vida de la batería, descárguela completamente de vez en cuando y volver a cargarla.

Simplemente desconecte el cable telefónico del enchufe telefónico de la pared.

Presione TALK y deje el auricular encendido por 10-14 horas.

Luego, reconecte el cable telefónico al enchufe telefónico.

Vuelva a colocar el auricular en la base y déjelo cargar completamente por 12 horas.

Haciendo esto una vez por mes se reduce el efecto de memoria que ocurre en la batería por cargas parciales frecuentes.

Controlando el Nivel de las Baterías de Respaldo en la Base

El siguiente cuadro indica cómo interpretar las luces e indicadores en la base para determinar el estado de las baterías y la fuente de alimentación.

Conexión de su Teléfono

Ajuste el modo de discado a T (tono) si su línea tiene servicio de discado por tonos.

Ajústelo a P (pulse) (pulsos) si tiene discado por pulsos.

Puede instalar su teléfono para usarlo sobre una mesa o montado sobre la pared.

Chart I

Alimentación de CA	Sin Batería installed	Batería Cargada	Batería Baja	Color del LED
sí		sí		verde fijo
sí	sí			red steady
sí			sí	verde/rojo intermitente
no		sí		rojo intermitente
no			sí	rojo intermitente, se apaga

Instalación y Uso de su CLS45i

Uso de Mesa

Para uso normal de mesa, coloque la base en cualquier lugar apropiado. No se necesita ningún soporte.

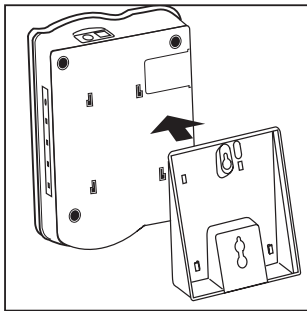
- Coloque la antena de la base en posición vertical.
- Conecte el otro extremo del cable telefónico en un enchufe telefónico.
- Conecte la fuente de alimentación al tomacorriente.

Nota: Utilice únicamente la #950 fuente de alimentación suministrado por Ameriphone.

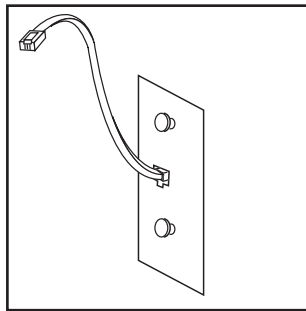
PRECAUCIÓN: Coloque el teléfono y cables donde no estorben, se dañen o presenten peligro de incendio o electrocución.

Montaje de Pared

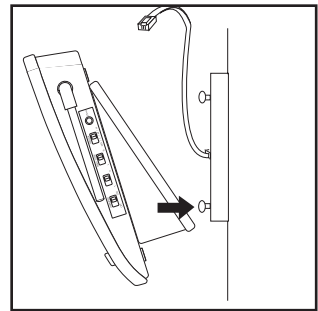
Usted puede montar la base del CLS45i en una pared.



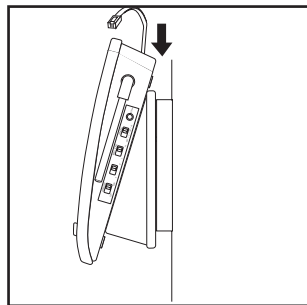
1



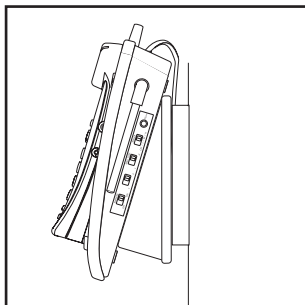
2



3



4



5

Ajuste del Identificador de Llamadas

El procedimiento de ajuste del Indicador de Llamadas comienza solo cuando el auricular se ha cargado completamente.

Indique Modo de Ajuste

NOTA: Durante el Ajuste, si no se realiza una entrada por 30 segundos, el programa retendrá la última selección de esa opción (p.ej. Idioma) y el CLS45i regresará al modo de Espera (Stand By). Si en cualquier momento desea salir del modo de Ajuste para regresar al modo de espera, presione FLASH./EXIT

Ajuste del Idioma en el auricular

1. Presione continuamente CHANNEL / SETUP por tres (3) segundos para ingresar al modo de Ajuste. La pantalla LCD indicará "SET LANGUAGE".
2. Presione INTERCOM / ENTER Una vez para ingresar al modo de selección de idioma. El idioma actual se muestra parpadeando.
3. Presione UP (▲) o DOWN (▼) para desplazarse por las opciones de idiomas. El idioma mostrado cambiará a "FRENCH" o "SPANISH".
4. Presione INTERCOM / ENTER para seleccionar su preferencia.
5. Presione UP (▲) o DOWN (▼) para desplazarse al siguiente menú.

Ajustando el Contraste en el Auricular

1. Presione continuamente CHANNEL / SETUP por tres (3) segundos para ingresar al modo de Ajuste. La pantalla LCD indicará "SET LANGUAGE".

2. Presione UP (▲) o DOWN (▼) para desplazarse al siguiente menú.
La pantalla muestra la última selección.
4. Presione INTERCOM / ENTER una vez para entrar al modo de selección de contraste. El nivel actual comenzará a parpadear.
5. Presione UP (▲) o DOWN (▼) para cambiar el nivel.
6. Presione INTERCOM / ENTER para seleccionar su preferencia.
7. Presione UP (▲) o DOWN (▼) para desplazarse al siguiente menú.

Ajuste de Hora y Fecha

La hora y la fecha se actualizan automáticamente al recibir el primer llamado con Identificación de Llamada.

La hora comenzará desde el estado inicial "12:00 01/01".

Si se pierde el ajuste de la hora durante una interrupción de energía, el reloj parpadeará cuando regrese la corriente.

1. Presione continuamente CHANNEL / SETUP por tres (3) segundos para ingresar al modo de Ajuste. La pantalla LCD indicará "SET LANGUAGE".
2. Presione UP (▲) hasta que la pantalla indique "TIME/DATE".
3. Presione INTERCOM / ENTER para empezar a cambiar la fecha. La pantalla muestra la hora y fecha actual en la primera línea, p.ej. "12:05AM 12/20" con el mes parpadeando.
4. Presione UP (▲) o DOWN (▼) para cambiar el mes.
5. Presione INTERCOM / ENTER una vez

para seleccionar. Después de seleccionar el mes, el día comenzará a parpadear.

6. Presione UP (▲) o DOWN (▼) para cambiar el día.
7. Presione INTERCOM / ENTER una vez para seleccionar. Luego de seleccionar el día, la hora comenzará a parpadear.
8. Presione UP (▲) o DOWN (▼) para cambiar la hora.
9. Presione INTERCOM / ENTER una vez para seleccionar. Luego de ajustar la hora, los minutos comenzarán a parpadear.
10. Presione UP (▲) o DOWN (▼) para cambiar los minutos.
11. Presione INTERCOM / ENTER una vez para seleccionar. Luego de ajustar los minutos, AM/PM comenzará a parpadear.
12. Presione UP (▲) o DOWN (▼) para seleccionar AM o PM.
13. Presione INTERCOM / ENTER una vez para seleccionar. Luego de seleccionar AM o PM, la hora y fecha desaparece.
14. Presione INTERCOM / ENTER una vez para mostrar la hora/fecha otra vez. O bien, presione UP (▲) o DOWN (▼) para desplazarse al siguiente menú.

Activación/Desactivación del Identificador de Llamadas

1. En modo Ajuste, presione UP (▲) o DOWN (▼) hasta que la pantalla muestre "CID MODE ON". Cuando está desactivado, la pantalla muestra "CID MODE OFF".
2. Presione continuamente CHANNEL / SETUP por tres (3) segundos para ingresar al modo de Ajuste. La pantalla LCD indicará "SET LANGUAGE".
3. Presione UP (▲) para activar/desactivar el Identificador de Llamadas (inicialmente activado).

4. Presione INTERCOM / ENTER una vez para entrar al modo de ajuste del identificador de llamadas.
5. Presione UP (▲) o DOWN (▼) para cambiar el ajuste.
6. Presione INTERCOM / ENTER para confirmar.
7. Presione UP (▲) o DOWN (▼) para desplazarse al siguiente menú.

Activación/Desactivación de la Conexión Automática Auto-Talk

Cuando esta función está activada, una llamada entrante se puede responder automáticamente levantando el auricular de su base cuando está sonando.

NOTA: Cuando la Conexión Automática Auto-Talk esté activada, no presione TALK para tomar la llamada, ya que si lo hace se desconectará; y la llamada se termina automáticamente cuando vuelve a colocar el auricular en su base. También puede desconectarse presionando TALK.

NOTA: Cuando la Conexión Automática Auto-Talk esté desactivada, el levantar el auricular de su base no atenderá la llamada. Usted necesitará presionar TALK o SPEAKER para tomar la llamada.

1. Presione continuamente CHANNEL / SETUP por tres (3) segundos para ingresar al modo de Ajuste. La pantalla LCD indicará "SET LANGUAGE".
2. Presione UP (▲) hasta que la pantalla muestre "Auto-Talk ON/OFF" (inicialmente activado). Si esta función está desactivada, la pantalla muestra "AUTOTALK OFF".
3. Presione INTERCOM / ENTER para entrar a la sección de ajuste de Conexión Automática Auto-Talk. El ajuste (ON/OFF)

comenzará a parpadear.

4. Presione UP (▲) o DOWN (▼) para cambiar el ajuste.
5. Presione INTERCOM / ENTER para seleccionar.
6. Presione UP (▲) o DOWN (▼) para desplazarse al siguiente menú.

Ajuste de Código de Área

1. Presione continuamente CHANNEL / SETUP por tres (3) segundos para ingresar al modo de Ajuste. La pantalla LCD indicará "SET LANGUAGE".
2. Presione UP(▲) hasta que la pantalla muestre "AREA CODE ?" y *** o el último número ingresado"XYZ".
3. Presione INTERCOM / ENTER para entrar a la sección de ajuste de Código de Área. El primer dígito del Código de Área que aparece a la derecha comenzará a parpadear con el cursor ("XYZ-> XYZ").
4. Ingrese su código de área con el teclado numérico.
5. Presione INTERCOM / ENTER para confirmar. Cuando se confirme el código de área, los dígitos ingresados se desplazan hacia la izquierda y dejan de parpadear.
6. Presione UP (▲) o DOWN (▼) para desplazarse al siguiente menú.

Para ajustar nuevamente su CLS45i, presione CHANNEL / SETUP continuamente por dos segundos cuando esté en modo de espera

(Stand By). Entonces entrará nuevamente en el modo de Ajuste.

Su CLS45i permanecerá en el modo de Ajuste hasta que (a) usted complete los pasos del Ajuste, o (b) presione FLASH / EXIT, o (c) deje pasar 30 segundos sin presionar ninguna tecla. Sin embargo, la información del Identificador de Llamadas permanecerá almacenada y puede verse al finalizar con el Ajuste.

Haciendo Llamadas

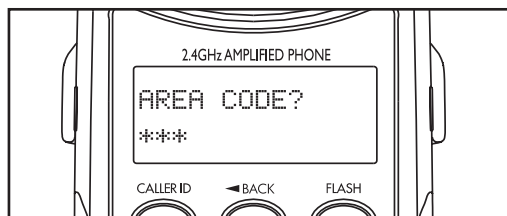
Puede hacer llamadas desde el auricular o desde la base. NOTA: Recuerde, debe cargar la batería del teléfono por 10 a 14 horas antes de usar el teléfono por primera vez.

HACIENDO LLAMADAS DESDE EL AURICULAR CUANDO NO SE ENCUENTRA EN LA BASE

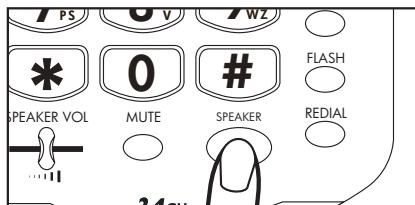
1. Presione TALK para activar el auricular. Se encenderá el indicador "In Use"; o,
2. Presione SPEAKER para usar el auricular en manos libres (puede escuchar y hablar por el parlante de la parte de atrás del auricular).
3. Se encenderá el botón SPEAKER.
4. Se encenderá el indicador "In Use".
5. Espere el tono para marcar.
6. Marque el número de teléfono
7. Cuando termine la llamada, presione SPEAKER o TALK. El indicador In Use se apagará.

HACIENDO LLAMADAS DESDE LA BASE CON EL AURICULAR EN O FUERA DE LA BASE (USANDO EL SPEAKER DE LA BASE)

1. Presione SPEAKER
2. Se enciende el botón SPEAKER



3. Espere el tono para marcar.
4. Marque el número de teléfono
5. Cuando termine la llamada, presione SPEAKER.
6. Se apagará el botón de SPEAKER



Modo de Marcación por Tonos “Temporal”

Si ha ajustado su teléfono para marcar por Pulsos y desea hacer una llamada por Tonos, puede hacerlo sin cambiar la configuración. Simplemente presione “*” una vez para entrar temporalmente al modo de tonos. Todos los botones numéricos presionados después de “*” se marcarán en modo de Tonos. También puede rellamar (REDIAL / FWD) en Tonos.

El modo de Tonos permanecerá activado hasta que cuelgue lo cual volverá el teléfono automáticamente al modo de Pulsos.

Recibiendo Llamadas

Cuando recibe una llamada, puede responder tanto desde el auricular como desde la base.

RESPONDIENDO DESDE EL AURICULAR CUANDO SE ENCUENTRA EN LA BASE:

Para responder, debe levantar el auricular. Cuando suene el teléfono, el indicador visual se encenderá en la base y en el auricular. Note que cuando el auricular se encuentra en la base, solo la base sonará.

1. Levante el auricular para iniciar la conversación.
 - a. Si la Conexión Automática Auto-Talk está activada, no presione TALK.
 - b. Si la Conexión Automática Auto-Talk no está activada, necesita presionar TALK.
2. Para terminar la comunicación, presione TALK o coloque el auricular de nuevo en la base.

Al colocar el auricular en la base, éste debe estar mirando hacia arriba para permitirle ver la pantalla de Identificación de Llamada y para cargar la batería.

RESPONDIENDO DESDE EL AURICULAR CUANDO NO SE ENCUENTRA EN LA BASE

1. Si ha dejado temporalmente el auricular en otra habitación, puede responder desde donde se encuentre. Nota: El interruptor del timbre (RINGER) del auricular debe estar en la posición “ON” para que suene.
2. Cuando suene el teléfono, presione TALK o SPEAKER para responder.
3. Cuando termine de hablar, presione TALK o SPEAKER otra vez para terminar la comunicación.

RESPONDIENDO LLAMADAS DESDE LA BASE CON EL AURICULAR EN O FUERA DE LA BASE (USANDO LA BASE COMO MANOS LIBRES)

1. Presione SPEAKER
2. Se encenderá el botón SPEAKER.
3. Escuche y hable por el parlante desde hasta seis metros de distancia.
4. Ajuste el volumen del parlante moviendo el control deslizante SPEAKER VOL a la derecha o izquierda.
5. Cuando termine la llamada, presione SPEAKER.
6. Se apagará el botón de SPEAKER.

Amplificación

El CLS45i tiene un poderoso amplificador que proporciona hasta 40dB de amplificación de entrada dependiendo de sus ajustes. Cuando el Amplificador (AMPLIFY) está desactivado en el auricular, el control de volumen VOL del auricular permite una amplificación de hasta 18dB.

Cuando el Amplificador (AMPLIFY) está activado, este control le permite ajustar la amplificación a 40dB. Cuando está activado, el botón de Amplify se iluminará.

Para ajustar el volumen:

1. Presione el botón AMPLIFY. Éste se iluminará.
2. Deslice el control de volumen VOL (ubicado en la parte superior derecha del auricular) para seleccionar el nivel de amplificación que más se adapte a sus necesidades auditivas.

CUIDADO: El exponerse de manera repetitiva e incremental a niveles de amplificación mayores a 18 dB puede causar daño a personas que no tienen problemas auditivos. Por lo tanto, no retire la etiqueta de advertencia colocada en el auricular. Si una persona con problemas de visibilidad puede utilizar el teléfono, instale la etiqueta de advertencia escrita en Braille (incluida) en la parte posterior del auricular.

Control de Tono del Auricular

Para ajustar la frecuencia de los sonidos de entrada al nivel que le brinde la mayor claridad, simplemente deslice el control TONE hacia LO o HI.

Intercomunicador

El CLS45i se puede usar como un intercomunicador si desea hablar o llamar a otra persona en otro cuarto.

También puede usarse para hacer una conferencia entre el auricular, la base y otra persona en la línea telefónica.

Llamando y Hablando con el Auricular desde la Base

Presione INTERCOM / ENTER en la base y el auricular sonará por 15 segundos. Si presiona INTERCOM / ENTER continuamente, el auricular sonará por 60 segundos.

Para desactivar la llamada:

- presione INTERCOM / ENTER en la base una sola vez
- presione INTERCOM / ENTER en el auricular si desea hablar con la base.

Presione INTERCOM / ENTER dos veces si desea cancelar la llamada.

Llamando a la base desde el Auricular

1. Presione INTERCOM / ENTER en el auricular. Entonces se llamará a la base, la cual sonará dos veces y pasará directamente al modo de intercomunicador, conectándose con el auricular inmediatamente.
2. Para terminar el modo de Intercom mode, presione INTERCOM en el auricular o en la base.

Revisando la información del Identificador de Llamadas

Cada llamado entrante se almacena usando hasta 12 caracteres para el nombre y hasta 16 dígitos para el número.

Si tiene información de llamadas nuevas, el indicador “New Call / In Use” parpadeará.

1. Desde el modo de espera Stand by, presione UP (▲) o DOWN (▼) para ver el número de llamadas nuevas y el número total de llamadas.
2. Presione UP (▲) o DOWN (▼) nuevamente para ver el contenido del Identificador de Llamadas.
 - a. Presione DOWN (▼) para inspeccionar la información del Identificador de Llamadas desde el registro más reciente. O bien,
 - b. Presione UP (▲) para inspeccionar la información del Identificador de Llamadas desde el registro con más tiempo.

Si el número de la persona que llama tiene más de 12 dígitos, puede usar dos botones para moverse a la derecha o a la izquierda.

1. Presione el asterisco (*) para moverse hacia la izquierda o
2. Presione el símbolo (#) para moverse a la derecha y ver el número entero.

Al alcanzar el final de la lista, se muestra “—END—”. Si la lista de Identificación de Llamadas está vacía, se muestra “NO CID”.

Puede presionar FLASH / EXIT en cualquier momento para volver al modo de espera Stand by. También puede regresar automáticamente al modo de espera Stand by después de 30 segundos de inactividad.

Haciendo una Llamada con Información del Identificador de Llamadas

Al revisar la lista del identificador de Llamadas, presione CALLER ID para marcar el número desde el auricular en modo de espera.

Presionando CALLER ID dos veces agrega un “1” al principio del número.

Al hacer llamadas con la información del Identificador de Llamadas, usted tiene 4 opciones de marcación:

1. Para números de 7 dígitos sin un “1” al principio:
 - a. si el código de área del número es igual al código de área programado en su auricular, presione el botón CALLER ID una sola vez dentro de 2 segundos. Esto envía solamente 7 dígitos.
2. Para números con un código de área +7 dígitos sin un “1” al principio:
 - a. si el código de área del número es igual al código de área programado en su auricular, presione el botón CALLER ID dos veces en menos de 2 segundos. Esto envía solamente el código de área +7 dígitos.
3. Para números de 10 dígitos sin un “1” al principio:
 - a. Si el código de área del número no es igual al código de área programado en su auricular, la memoria debe guar-

Identificador de Llamadas

dar los 10 dígitos. Presione el botón CALLER ID una vez en menos de 2 segundos para enviar los 10 dígitos sin el "1" adelante.

4. Para números de 10 dígitos con un "1" al principio:
 - a. Si el código de área del número no es igual al código de área programado, la memoria debe guardar los 10 dígitos. Presione el botón CALLER ID dos veces en menos de 2 segundos para enviar los 10 dígitos con el "1" adelante.

Borrando Información del Identificador de Llamadas

1. Mientras está viendo la información, presione DELETE / BACK para borrar la información mostrada en la pantalla. La pantalla mostrará "ERASE ?"
2. Presione INTERCOM / ENTER para confirmar. La pantalla mostrará "CID ERASED" por un momento. La pantalla mostrará el próximo registro, o "- NO CALLS -" si la lista está vacía.

Borrando Toda la Información del Identificador de Llamadas

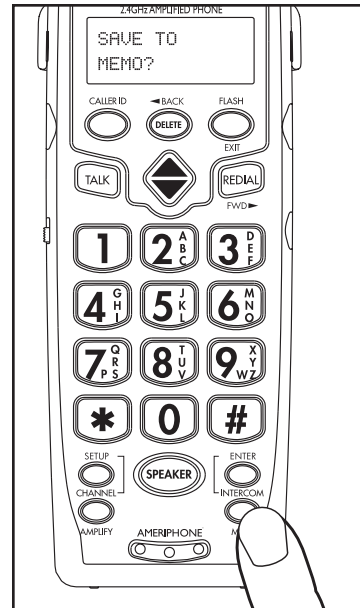
Mientras está viendo la información, mantenga presionado DELETE / BACK por dos segundos. La pantalla mostrará "ERASE ALL ?"

Presione ENTER para sobrescribir la ubicación

con la nueva anotación. Presione EXIT para volver al modo Standby (en Espera). Puede presionar FLASH / EXIT una vez en cualquier momento para volver al modo de espera. O retornará automáticamente al modo de espera luego de 30 segundos de inactividad.

Grabando Información del Identificador de Llamadas en Memoria

1. Presione MEM mientras está viendo la información del Identificador de Llamadas. La pantalla mostrará "SAVE TO" y "MEMO ?"



2. Presione INTERCOM / ENTER para confirmar. La pantalla mostrará “ENTER MEMO” y “LOCATION”.
3. Ingrese el número de memoria [X] (0 a 9).
 - a. Si esa memoria [X] está vacía, la pantalla mostrará “SAVE AT” y “MEMO X?”
 - b. Si esa memoria [X] no está vacía, la pantalla mostrará “OVERWRITE” y “MEMO X?”
4. Presione INTERCOM / ENTER para confirmar. El número de teléfono (hasta 16 dígitos) y el nombre (hasta 12 caracteres) se guardarán en esa memoria. O bien presione FLASH / EXIT para salir.

Recibiendo Llamadas en Espera / Identificación de Llamadas

Cuando esté en medio de una llamada, escuchará un “bip”. La pantalla muestra la identificación de llamada de la llamada en espera.

1. Para responder la llamada en espera, presione FLASH / EXIT . La llamada inicial será retenida (Hold) y usted se conectará con la nueva llamada entrante. Cuando termine de hablar, presione FLASH / EXIT otra vez para regresar a la llamada original.



2. Al responder a la llamada en espera, la información de identificación de llamada desaparece y aparece la pantalla con la fecha y hora.
3. Si no responde a la llamada en espera, la información de Identificación de Llamada se envía a la lista de personas que llamaron. Esta información no se considera como una nueva llamada.

Llamada Desconocida

Si recibe una llamada desde otro país o el número de la persona que llama no está disponible, la pantalla muestra “UNKNOWN NUMBER”. Ésta se guardará en la lista de llamadas.

Llamada Bloqueada

Si el número de la persona que llama está bloqueado o restringido, la pantalla muestra “BLOCKED NUMBER”. Ésta se guardará en la lista de llamadas.

Llamada Repetida

Si ha recibido anteriormente llamadas desde ese número y no las ha visto aún, se indicará una llamada repetida.

Guardando Números en las Memorias

El CLS45i puede guardar 17 números telefónicos en memoria.

10 en el auricular y
7 en la base.

Nota: Cuando guarde números telefónicos en los botones de memoria de la base o en el auricular, le recomendamos que los anote para referencia futura. No hay otra forma de verificar en qué botones ha guardado los números.

Guardando Números en los Botones de Memoria del Auricular

El aparato debe estar en modo de espera Stand By.

Los botones numéricos del 0 al 9 se pueden usar para almacenar un número de teléfono en memoria. Cada uno almacena un número.

Presione MEM una vez y la pantalla mostrará "ENTER MEMO NUMBER".

Presione el botón DOWN (t) hasta que la pantalla muestre "- -" en el extremo superior derecho y aparezca "END OF RECORD" en la segunda y tercera línea de la pantalla.

Presione MEM una vez para agregar un número. Si no se presiona ningún botón durante 30 segundos, el auricular vuelve al estado de espera.

Ingrese el número a guardar (hasta 16 dígitos). Presione INTERCOM / ENTER y la pantalla mostrará "ENTER NAME". Ingrese hasta 12

caracteres usando el teclado numérico. Note que además de los números, los botones del 2 al 9 también tienen letras (por ejemplo, el "2" tiene "A", "B" y "C").

Para crear el nombre:

- Presione "2" una vez para la "A"
- Presione "2" dos veces para la "B"
- Presione "2" tres veces para la "C"
- Presione "2" cuatro veces para el "2", o
- Presione DELETE / BACK para retroceder borrando el último carácter ingresado.

Presione INTERCOM / ENTER y la pantalla mostrará "ENTER MEMO LOCATION".

Ingrese la posición de memoria (0 a 9) y presione INTERCOM / ENTER para confirmar.

Si la posición está vacía (disponible), un "bip" largo le indica que se ha grabado correctamente y la pantalla muestra "MEMO X" y "STORED".

Si esa memoria no está vacía, la pantalla muestra "OVERWRITE" y "MEMO X?". Usted debe decidir si quiere mantener el número que ya está guardado en esa memoria o reemplazarlo por el nuevo número que acaba de ingresar.

Si realmente desea reemplazar el número viejo por el nuevo, presione INTERCOM / ENTER para confirmar. La pantalla muestra "MEMO X" y "STORED". También puede presionar cualquier otro botón para salir.

Esta secuencia de almacenamiento de memoria termina al presionar cualquier botón equivocado, o luego de 30 segundos de inactividad.

Guardando Números en los Botones de Memoria de la Base

Los botones de memoria de la base son M1 - M4 y ER5 - ER 7.

1. Presione PROG.
2. Ingrese el número a almacenar (hasta 16 dígitos)
3. Presione PROG.
4. Presione uno de los botones de memoria (M1 a M4, ER5 a ER7). Escuchará un “bip”.

Grabando números seguidos por una extensión u opciones de menú en las memorias.

Nota: Si desea almacenar un número seguido por una extensión u opción de un menú, prográmelo como un número cualquiera con la siguiente excepción: Después de ingresar el número principal, presione el botón Redial. Por ejemplo, si desea almacenar el número 714 555 2232, pero necesita conectarse con la extensión 323, lo hará de la siguiente forma: 714 555 2232 Redial 323.

Modificando Números Almacenados en la Base

Si desea reemplazar uno de los números grabados por otro, simplemente programe el nuevo número sobre el número viejo. Por ejemplo, si el número que desea reemplazar se encuentra almacenado en M3 de la base, grabe el número nuevo en el botón M3.

MARCADO RÁPIDO DESDE EL AURICULAR

Existen dos formas de hacerlo:

Empezando con el botón TALK o SPEAKER

1. En modo de espera, presione TALK o SPEAKER para tener línea.
2. Presione MEM y el número de memo-

ria deseado (0 a 9). El número se marca automáticamente.

Empezando con el botón MEM (la unidad debe estar en modo de espera).

1. Presione el botón MEM una vez y luego el botón del número de memoria para ver el número almacenado en esa posición.
2. Presione el número de memoria deseada (0 a 9).
3. Presione TALK o SPEAKER. El auricular tomará la línea y marcará el número automáticamente.

Marcado Rápido desde la Base

1. Presione la tecla de memoria donde se ha guardado el número (M1, M2, M3, M4, ER5, ER6, ER7) y el número se marcará automáticamente.
2. Para marcar usando el modo de manos libres utilizando el speaker, primero presione SPEAKER, espere el tono para marcar, y luego presione la tecla de memoria.

Revisando las Memorias del Auricular

La unidad debe estar en modo de espera

1. Presione MEM una vez. La pantalla mostrará “ENTER MEMO NUMBER”.
2. Ingrese la posición de memoria (0 a 9) o presione UP (▲) o DOWN (▼) para recorrer todas las posiciones.
 - a. Si la memoria no está vacía, la pantalla muestra la posición, nombre y número de teléfono.
 - b. Si la posición está vacía, la pantalla muestra la posición en el extremo superior derecho, y el mensaje “RECORD EMPTY”.
3. Presione UP (▲) o DOWN (▼); para desplazarse a la posición anterior o siguiente.

- Al presionar “DOWN (▼)” al final de la lista de memorias se indicará “- -” en el extremo superior derecho de la pantalla y el mensaje “END OF RECORD”.

Presione FLASH / EXIT una vez para volver al modo de espera, o, presione MEM otra vez para agregar una nueva memoria. Si no se presiona ningún botón durante 30 segundos, el auricular vuelve al estado de espera Stand by.

Borrando un número almacenado

El aparato debe estar en modo de espera.

- Presione MEM una vez. La pantalla muestra “ENTER MEMO NUMBER”.
- Ingrese la posición de memoria (0 a 9) o presione UP(▲) o DOWN (▼) para recorrer todas las posiciones. La pantalla muestra la posición de memoria en el extremo superior derecho y el nombre y número de teléfono.
- Presione DELETE / BACK para borrar la memoria. La pantalla indica esta acción.
- Presione INTERCOM / ENTER para confirmar. La pantalla indica “MEMO X” y “ERASED” junto con un tono de aviso. Presione cualquier otro botón para volver al menú de revisión de memorias.

Transfiriendo llamadas desde el Auricular a la Base

Mientras esté usando el auricular con la función de TALK o SPEAKER activada,

- Presione INTERCOM / ENTER en el auricular para retener la llamada (hold) y conectarse con la base.
- Presione SPEAKER en la base para que la base tome la llamada.

Nota: Usted puede volver a la llamada presionando TALK o SPEAKER.

Transfiriendo llamadas desde la Base al Auricular

La base debe estar en modo SPEAKERPHONE (el botón de SPEAKER debe estar activado)

- Presione INTERCOM / ENTER en la base. Así se retendrá la llamada y la luz de In-Use cambiará de encendida a parpadeante. El auricular comenzará a sonar y la pantalla mostrará “PAGING” y “LINE ON HOLD”.
- Presione INTERCOM / ENTER en el auricular para hablar con la base. La pantalla indica “INTERCOM” y “LINE ON HOLD”.
- Presione INTERCOM / ENTER otra vez en el auricular para que el auricular entre en modo normal de hablar.

Conferencia de la Tres-Manera el Llamar

CONECTANDO UNA COMUNICACIÓN EN CURSO EN EL AURICULAR:

- Presione SPEAKER en la base. La pantalla del auricular cambiará de “TALK” a “CONF”.
- Para desconectar la base de la conferencia, presione el botón de SPEAKER de la base. El auricular indica nuevamente “TALK”.

CONECTANDO A UNA COMUNICACIÓN EN CURSO EN LA BASE:

- Presione SPEAKER o TALK en el auricular. La pantalla del auricular cambiará de “LINE IN USE” a “CONF”.
- Para desconectar el auricular de la conferencia, presione el botón de TALK o SPEAKER. El auricular indica nuevamente “LINE IN USE”.

Para su conveniencia, hemos listado algunos de los problemas que se pueden presentar al utilizar teléfonos inalámbricos, junto con la lista de posibles soluciones.

¿El teléfono no funciona?

Verifique que:

La base esté conectada a la FUENTE DE ALIMENTACIÓN.

- El auricular esté CARGADO.
- El interruptor TONE/PULSE se encuentre en la posición correcta.
- EL CABLE TELEFÓNICO se encuentre conectado al TELÉFONO y al ENCHUFE TELEFÓNICO.

¿El alcance del teléfono es limitado?

Verifique que:

- La ANTENA de la base esté en posición vertical.
- La base esté ubicada en el centro de su residencia.
- La base no se encuentre cerca de otros equipos eléctricos.

¿No hay tono para marcar?

Verifique que:

- El cable telefónico esté conectado a la LÍNEA TELEFÓNICA.
- La base esté conectada a la FUENTE DE ALIMENTACIÓN.

¿La señal es débil o intermitente?

Verifique que:

- La batería del AURICULAR esté completamente cargada.
- El AURICULAR no esté muy lejos de la base.
- La ANTENA de la base esté en posición vertical.

¿Interferencia en la recepción?

Verifique lo siguiente:

- El ruido puede originarse en equipos eléctricos de su casa o tormentas eléctricas. Por lo general, este ruido es una pequeña molestia y no debe considerarse un defecto del equipo.
- Elija otro canal usando el botón CHANNEL / SETUP del auricular.

¿Estática?

Verifique que:

- La ANTENA no esté tocando ningún objeto metálico.
- Mueva o re-orienta la ANTENA de la base. Si después de presionar TALK usted escucha tres “bips” y no tiene tono para marcar, verifique que:
- La base esté conectada a la FUENTE DE ALIMENTACIÓN.

Conformidad con las Normas vigentes

Información correspondiente a la Parte 68 de las Normas de la FCC

Este Sistema de Notificación AM-100 cumple con lo establecido en la Parte 68 de las Normas de la FCC y los requisitos establecidos por el ACTA. En la parte inferior de este equipo se encuentra una etiqueta que entre otras informaciones contiene un identificador de producto en el formato US:AAAEQ##TXXXX. Deberá proporcionar este número a su compañía de teléfonos si le es requerido.

El tomacorriente y la ficha de conexión usados para conectar este equipo a la instalación eléctrica del establecimiento y a la red telefónica deberán cumplir con las normas de aplicación de la FCC Parte 68, y con los requisitos establecidos por el ACTA. Se provee con este producto un cable de teléfono y enchufe modular USOC RJ11C que cumple con las normas vigentes. Está diseñado para ser conectado a un tomacorriente modular que también cumple con las normas vigentes. Vea las instrucciones de instalación para mayores detalles.

El REN (Número de Equivalencia de Dispositivo de Llamadas) se utiliza para determinar el número de artefactos que se pueden conectar a una línea de

teléfono. Es posible que los teléfonos no suenen en respuesta a una llamada entrante cuando el REN es excesivo. En la mayoría de las áreas -aunque no en todas- la suma de los REN no debe ser mayor que cinco (5.0). Contacte a su compañía telefónica local para confirmar el número de artefactos que pueden conectarse a una línea, según lo determinado por el REN total. En el caso de productos aprobados con posterioridad al 23 de Julio de 2001, el REN del producto es parte del identificador de producto con formato US:AAAEQ##TXXXX. Los dígitos representados por ## son el REN sin el punto decimal (por ejemplo, 03 es un REN de 0.3). En el caso de productos anteriores, el REN aparece en la etiqueta por separado.

Si este equipo de teléfono daña la red telefónica, la compañía de teléfonos le informará por anticipado que podría ser necesario discontinuar temporalmente su servicio. Pero si no resultara posible informarle por anticipado, la compañía de teléfonos se comunicará con el cliente tan pronto como sea posible. Además, se le informará sobre su derecho a presentar una queja en la FCC si lo considera necesario.

La compañía de teléfonos podrá hacer cambios en sus instalaciones, equipos, operaciones o procedimientos que

podrían afectar la operación de los equipos. Si esto ocurriera la compañía de teléfonos se lo informará por anticipado de modo que usted pueda hacer las modificaciones que resulten necesarias para mantener su servicio libre de interrupciones.

Si este equipo telefónico presenta problemas, o para obtener información sobre reparaciones o garantías, contacte a Clarity al 1-800-426-3738. Si el equipo está causando daños a la red telefónica, la compañía de teléfonos podría solicitarle desconectar el equipo hasta que se resuelva el problema.

Este equipo telefónico no está concebido para ser reparado, y no contiene partes reparables. La apertura del equipo o cualquier intento de repararlo anulará la garantía. Llame al 1-800-426-3738 para información sobre servicio técnico o reparaciones.

La conexión a un servicio de línea compartida se encuentra sujeta a las tarifas del estado. Contacte a la comisión de empresas de servicios públicos del estado, a la comisión de servicios públicos o a la comisión de corporaciones para obtener información.

Si su casa posee un sistema de alarma conectado a la línea telefónica, asegúrese de que la instalación de este equipo tele-

fónico no desactive su sistema de alarma. Si tiene dudas sobre lo que puede llegar a desactivar a su sistema de alarma, consulte con su compañía de teléfonos o con un instalador calificado.

Este equipo telefónico es compatible con audífonos.

Teléfonos de propiedad del abonado en que las llamadas se pagan con monedas o tarjetas de crédito:

La compañía de teléfonos debe ser notificada antes de la conexión para que se respeten las tarifas del estado. En algunos estados la comisión de empresas de servicios públicos del estado, la comisión de servicios públicos o la comisión de corporaciones deben aprobar la conexión por anticipado.

Información correspondiente a la Parte 15 de las Normas de la FCC

Este artefacto cumple con lo establecido en la Parte 15 de las Normas de la FCC. Su operación se encuentra sujeta a las siguientes dos condiciones: (1) Este artefacto no debe causar interferencias

Conformidad con las Normas vigentes

dañinas, y (2) este artefacto debe aceptar cualquier interferencia que reciba, incluyendo aquellas interferencias que pueden causar fallas en su operación.

Su Sistema de Notificación AM-100 ha sido sometido a pruebas, y a través de ellas se ha demostrado que cumple con los límites de un artefacto digital de Clase B, según lo establecido en la Parte 15 de las Normas de la FCC. Estos límites están diseñados para proveer una razonable protección contra las interferencias dañinas en las instalaciones domiciliarias.

Este equipo genera, usa y puede irradiar energía de radiofrecuencia, y si no es instalado y usado según las instrucciones, puede causar interferencias dañinas a las comunicaciones por radio. Por otro lado, no se puede garantizar que la generación de interferencias pueda evitarse en todas las instalaciones. Por lo tanto, si este equipo causa interferencias dañinas a la recepción de radio o televisión –algo que se puede determinar encendiendo y apagando el equipo–, se le recomienda tratar de corregir la interferencia mediante una de las siguientes medidas:

En lugares donde pueda ser hecho con seguridad, reorientar la antena receptora de radio o televisión.

Cambiar la ubicación de la televisión, radio u otro equipo receptor respecto del equipo telefónico tanto como sea posible.

(Así se aumenta la separación entre el equipo telefónico y el receptor).

Conectar el equipo telefónico a un toma-corriente que pertenezca a un circuito diferente de aquel en que están conectados la televisión, la radio u otro equipo receptor.

Consultar a su representante o a un técnico experimentado de radio y televisión para obtener ayuda.

PRECAUCIÓN: Los cambios o modificaciones que no hayan sido expresamente aprobados por el fabricante responsable de la conformidad con las normas vigentes pueden anular la autoridad del usuario para operar el equipo.

LA ENTIDAD RESPONSABLE POR LA CONFORMIDAD DEL PRODUCTO:
Ameriphone Products by Clarity,
A Division of Plantronics, Inc.
4289 Bonny Oaks Drive
Chattanooga, TN 37406
(800) 426-3738

Especificaciones Técnicas de Industria Canadá

Este producto cumple con las especificaciones técnicas de aplicación de Industria Canadá.

Antes de instalar este equipo el usuario debe asegurarse de que está autorizado a conectarse a la red de la compañía de telecomunicaciones de su zona. Asimismo, se debe instalar el equipo usando un método de conexión aceptado. En algunos casos, la instalación interna que hace la compañía en el caso de un servicio individual de línea única se puede extender mediante la instalación de un conector certificado (una extensión del cable telefónico). El cliente debe saber que el cumplimiento de los requisitos arriba mencionados no impide el deterioro del servicio en ciertas circunstancias.

Para reparar un equipo certificado se debe recurrir a un servicio técnico autorizado y recomendado en Canadá por el proveedor.

Cualquier reparación o modificación del equipo por parte del usuario puede dar lugar a que la compañía de telecomunicaciones solicite al usuario que desconecte el equipo.

Por su propia protección, los usuarios deben asegurarse de que las conexiones a tierra del servicio de electricidad, las líneas telefónicas y la cañería de metal de la red sanitaria interna, si la hubiere, estén todas conectadas. Esta precaución es particularmente importante en zonas rurales.

PRECAUCIÓN: Los usuarios no deben intentar realizar estas conexiones por sí mismos. Deben consultar a las autoridades encargadas de inspeccionar la instalación eléctrica o a un electricista, según corresponda.

El Número de Equivalencia de Dispositivo de Llamadas (Ringer Equivalent Number) indica el número máximo de terminales que está permitido conectar a una interfaz de teléfono. La terminación en una interfaz puede consistir en cualquier combinación de dispositivos sujeta al requisito de que el Número de Equivalencia de Dispositivo de Llamadas de todos los dispositivos no sea mayor que cinco.

(El término "IC:" antes del número de certificación / registro sólo significa que cumple con las especificaciones técnicas de Industria Canadá.

Esta garantía sólo cubre los productos Ameriphone que hayan sido comprados y usados en los Estados Unidos o Canadá.

Clarity garantiza el Teléfono CLS45i contra cualquier defecto de materiales o construcción por el término de un año a partir de la fecha de compra.

Si su producto Ameriphone es defectuoso y retornado dentro de los 30 días de la fecha de compra, el representante de Ameriphone lo reemplazará sin costo alguno.

Si se retorna después de los 30 días pero antes de un año de la fecha de compra, lo repararemos sin cargo alguno. Podremos usar partes nuevas o reacondicionadas para la reparación de su Teléfono CLS45i. Si decidimos reemplazar su Teléfono CLS45i, lo podremos reemplazar por un producto nuevo o reacondicionado igual o similar. La reparación o reemplazo tendrá una garantía de 90 días o del tiempo restante de su garantía original, el que sea más largo de los dos.

Garantías implícitas, incluyendo aquellas por aptitud para un propósito particular y comercial (una garantía no escrita de que el producto es apropiado para uso común), están limitadas a un año a partir de la fecha de compra. No compensaremos por pérdida de tiempo, inconvenientes, imposibilidad de uso de su Teléfono CLS45i, o daños materiales causados por su Teléfono CLS45i o su falla, o cualquier otro daño eventual o resultante. Algunos estados no permiten la limitación con respecto a cuanto tiempo dura una garantía implícita o la exclusión de daños eventuales o resultantes, por lo tanto las limitaciones y exclusiones anteriores pueden no corresponderle a usted. Para obtener servicio de garantía por su Teléfono CLS45i, debe

presentar prueba de la fecha de compra. Dentro de los 30 días de la fecha de compra, retorne su Teléfono CLS45i al lugar donde lo compró para un reemplazo inmediato. Luego de los 30 días, llame a Clarity al (voz) 800-426-3738 o (TTY) 800-772-2889 para averiguar el centro autorizado más cercano a su domicilio. Usted debe pagar todos los gastos de envío por adelantado.

Le sugerimos que guarde la caja original por si necesita enviarnos el Teléfono CLS45i. Cuando lo envíe para ser reparado bajo garantía, incluya su nombre, dirección, número de teléfono, comprobante de fecha de compra y la descripción del problema. Luego de reparar el producto, nosotros (o el centro de reparación autorizado) se lo enviaremos de regreso sin costo dentro de los Estados Unidos y Canadá. **RESIDENTES CANADIENSES:** llame a Clarity al (voz) 800-426-3738 o (TTY) 800-772-2889 por instrucciones.

Esta garantía no cubre defectos resultantes por accidentes, daños de envío a nuestro centro de reparación, alteraciones, reparaciones no autorizadas, falla en seguir las instrucciones, uso indebido, uso fuera de los Estados Unidos o Canadá, incendio, inundaciones o catástrofes. Tampoco garantizamos que el producto será compatible con algún equipo telefónico en particular, línea compartida, centrales telefónicas o sistemas telefónicos más complejos.

Si su Teléfono CLS45i no está cubierto por esta garantía, llámenos al (voz) 800-426-3738 o (TTY) 800-772-2889 para averiguar si podemos reparar su Teléfono CLS45i así como también por cualquier otra información acerca de reparaciones. Las reparaciones tendrán una garantía de 90 días.

CLS•45i Telefono Inalambrico Amplificado Dual con Speaker

Amplification

Incoming up to 40dB

Electrical

Adaptador

Input 120V AC 60Hz

Output 9V DC 500mA

Conectors

Auricular

3.5mm remote

3.5mm audio output

2.5mm headset

Base

3.5mm speaker output

Baterias

Auricular

1 battery pack (3 celdas)

2/3 AA

3.6V 750mAh NiMH

Base

4

AA

Alkaline



4289 Bonny Oaks Drive
Chattanooga, TN 37406
VOICE: (800) 426-3738
TTY: (800) 772-2889
FAX: (800) 325-8871

email: ameriphones@plantronics.com
website: www.clarityproducts.com

Ameriphone® products are manufactured by Clarity®, a division of Plantronics, Inc.
© 2005 Clarity, a Division of Plantronics, Inc. All rights reserved. Ameriphone, Clarity, Clarity and the amplification device combined, Ameriphone and the amplification device combined, Amplifying Your Life, are trademarks or registered trademarks of Plantronics, Inc.